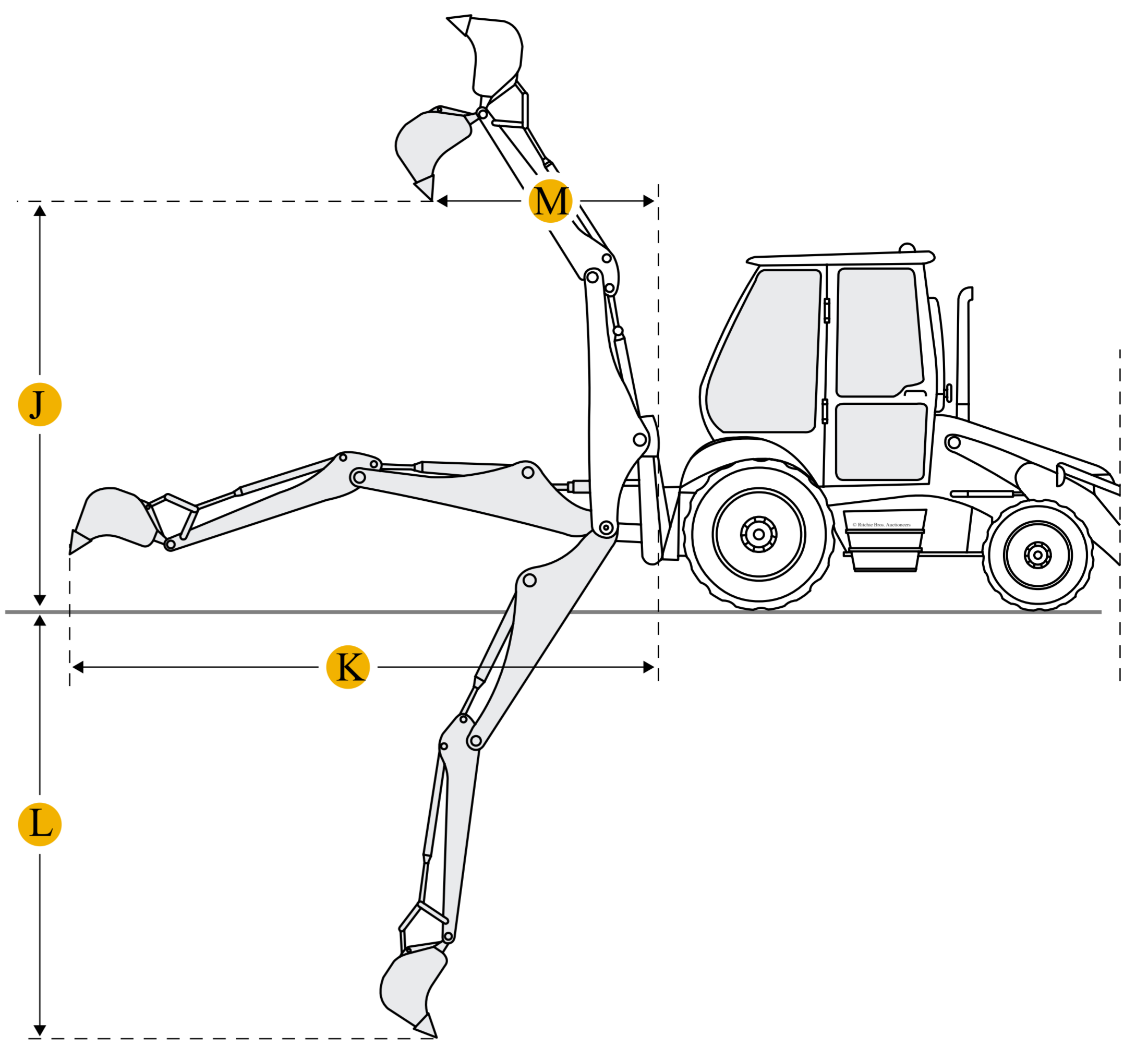
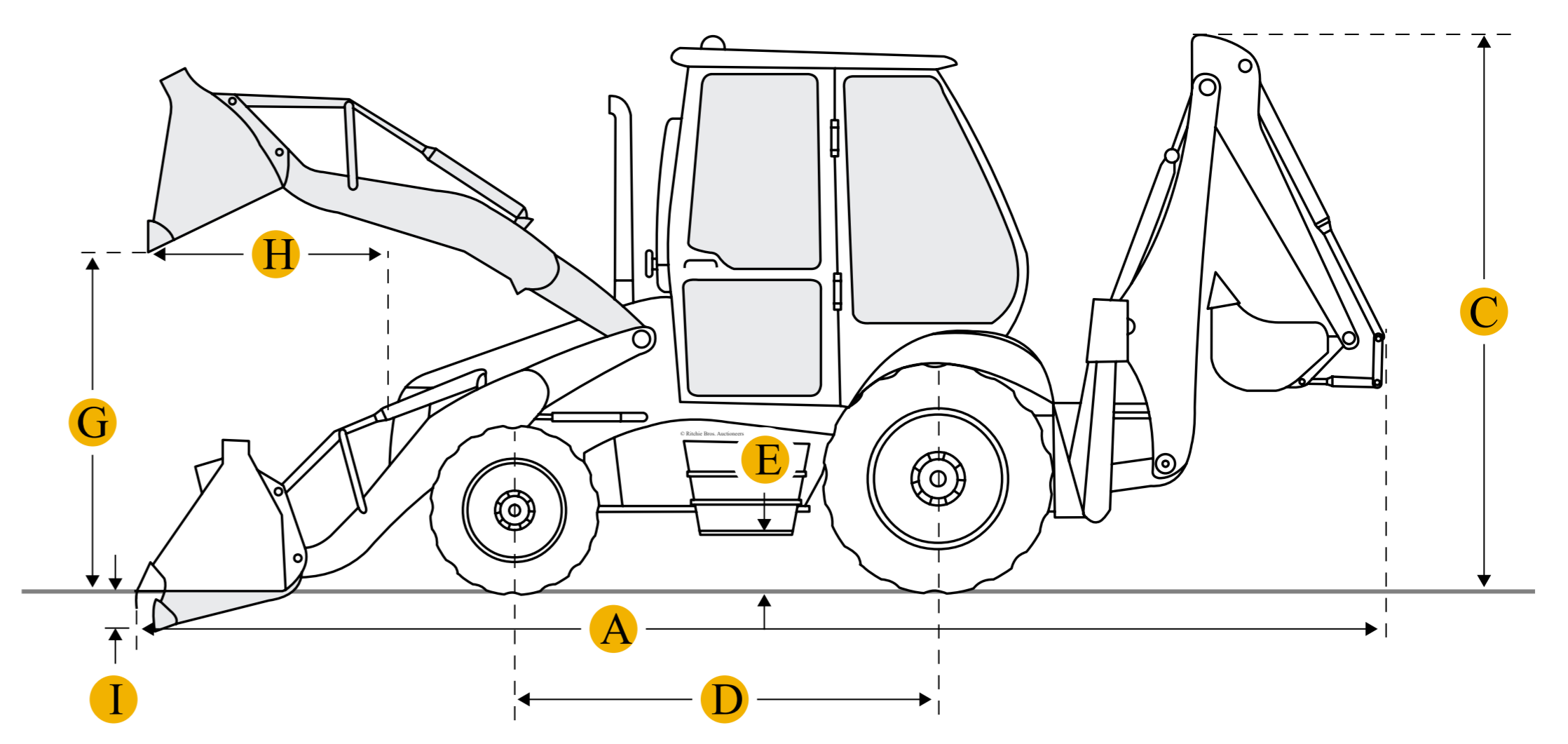
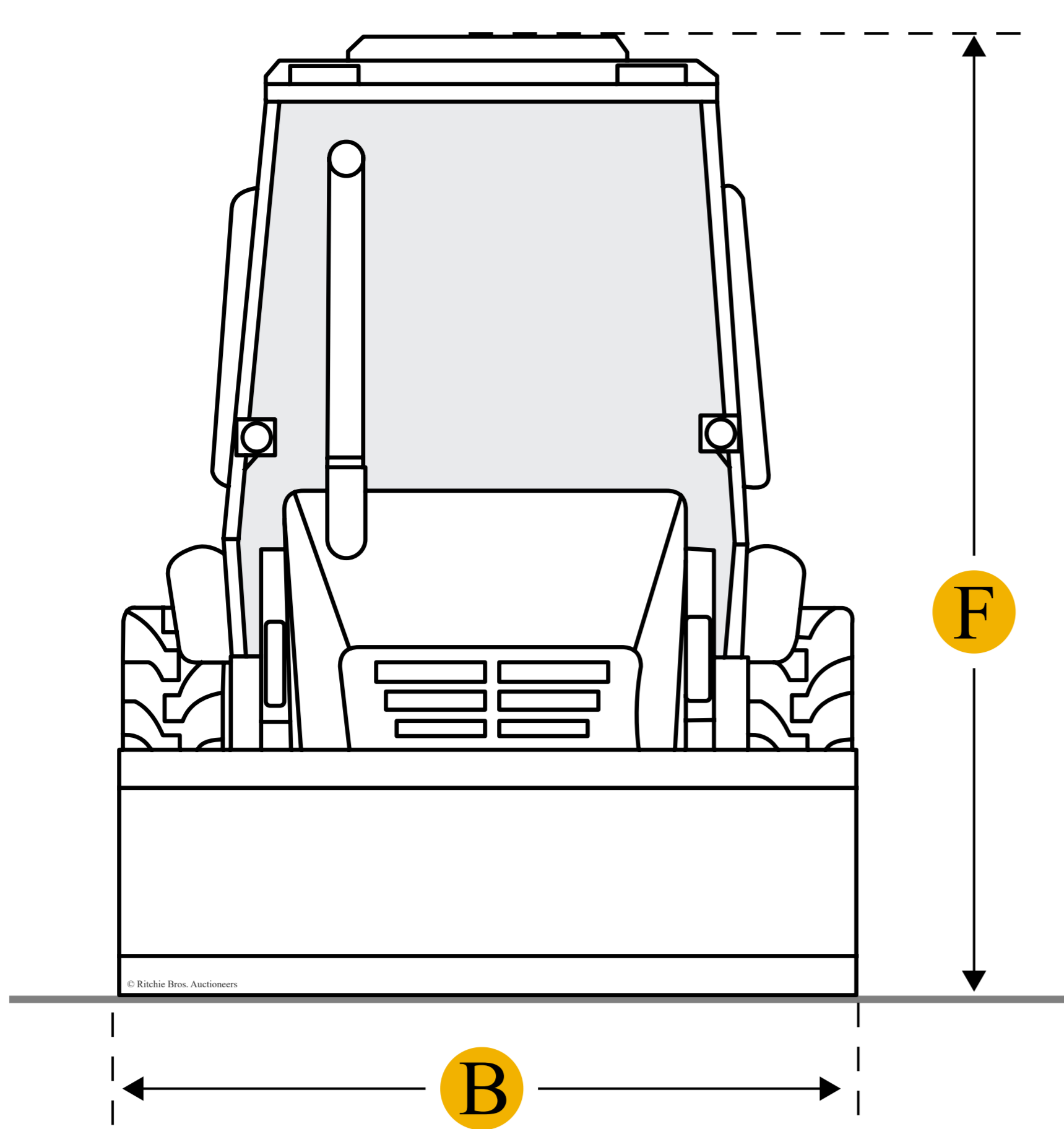


Terex TLB840R Loader Backhoe



Units Imperial Metric

Dimensions

Backhoe

J Load Height - Std	11.55 ft in
K Reach From Swivel - Std	18.76 ft in
L Dig Depth - Std	16.38 ft in
M Reach At Load Height - Std	7.49 ft in
Arm Breakout Force (Iso 6015)	10329 lb
Dig Depth - Ext	18.08 ft in
Load Height - Ext	13.52 ft in
Reach At Load Height - Ext	10.24 ft in
Reach From Swivel - Ext	21.92 ft in

Dimensions

A Transport Length	19.67 ft in
B Transport Width	7.58 ft in
C Transport Height	11.1 ft in
D Wheelbase	7 ft in
E Ground Clearance	1.34 ft in
Height To Top Of Suspended Cab	8.97 ft in

Loader

G Clearance At Max Dump Height	8.92 ft in
H Reach At Max Dump Height	2.56 ft in
I Dig Depth	7.05 in
Bucket Breakout Force	9441 lb
Bucket Capacity	1 yd ³
Lift Capacity At Full Height	7291 lb

Specifications

Engine

Number Of Cylinders	4
Engine Make	Deutz
Engine Model	TCD 3.6 L4
Gross Power	74 hp
Net Power	69.3 hp
Power Measured @	2200 rpm
Torque Measured @	1300 rpm
Net Torque Rise	63 %
Net Max Torque	288 lb ft
Displacement	219.7 cu in

Operational

Fuel Capacity	37 gal
Max Weight	16788 lb
Hydraulic System Fluid Capacity	18.5 gal
Oil System Fluid Capacity	2.2 gal
Cooling System Fluid Capacity	4.5 gal
Transmission Fluid Capacity	5.3 gal
Front Axle Fluid Capacity	2.3 gal
Rear Axle Fluid Capacity	4.5 gal
Tire Size Front - 2wd / 4wd	12 * 16.5
Rear Tires Size 2wd/4wd	19.5 * 24
Operating Voltage	12 V
Alternator Supplied Amperage	95 amps

Transmission

Number Of Forward Gears	4
Number Of Reverse Gears	4
Max Speed - Forward	24 mph
Max Speed Reverse	23.7 mph

Hydraulic

Pump Flow Capacity	21.7 gal/min
Relief Valve Pressure	3625 psi