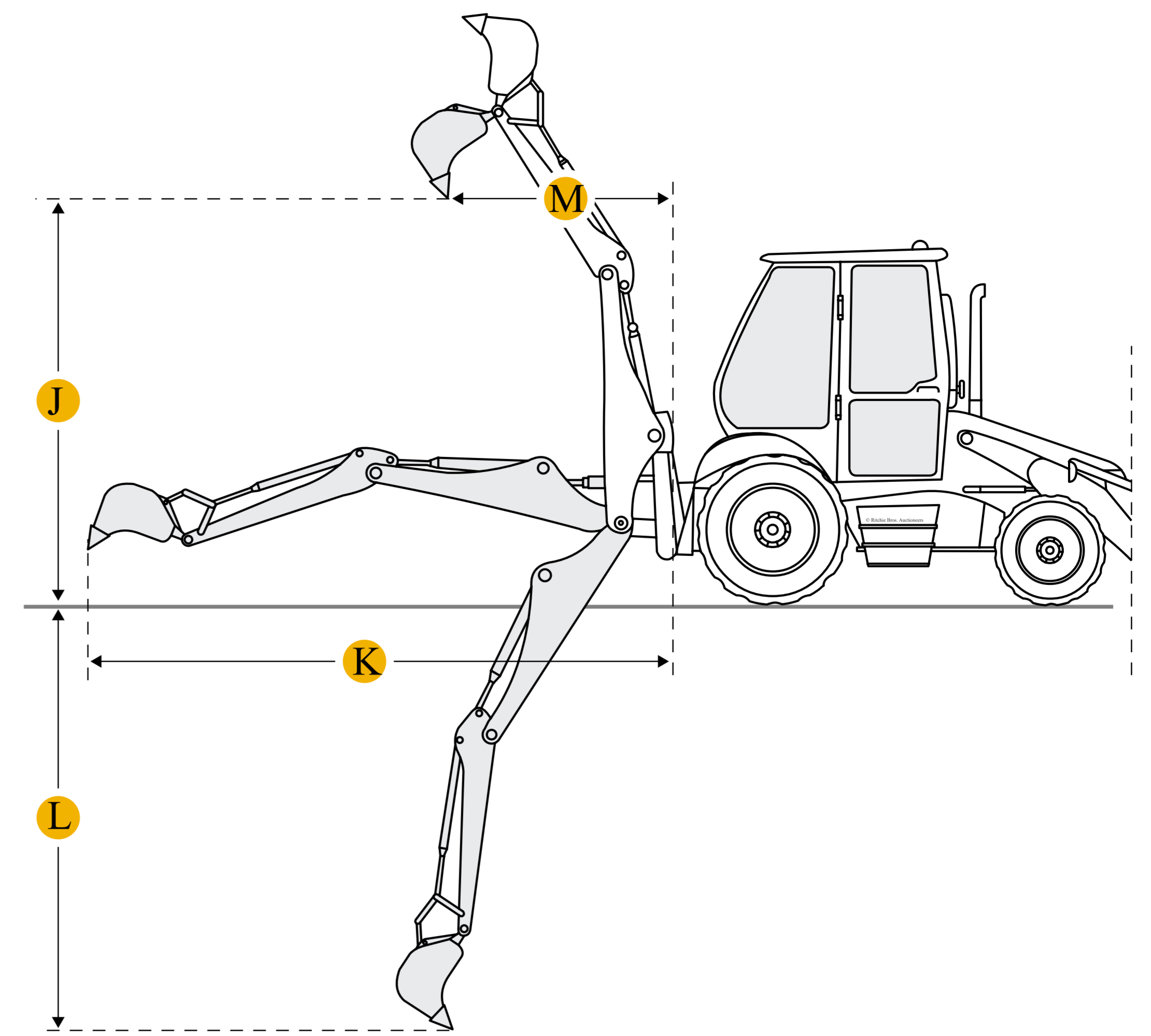
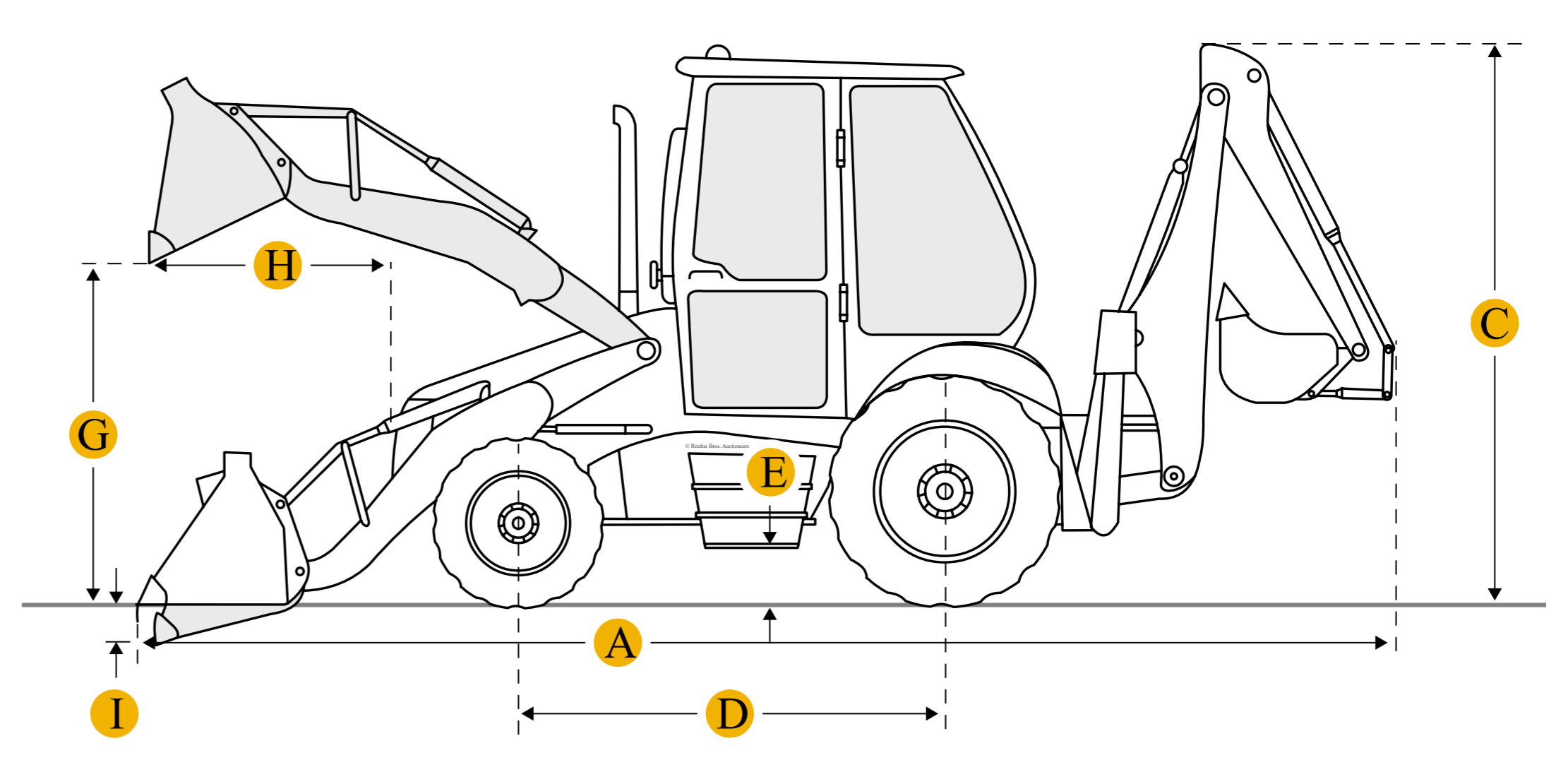
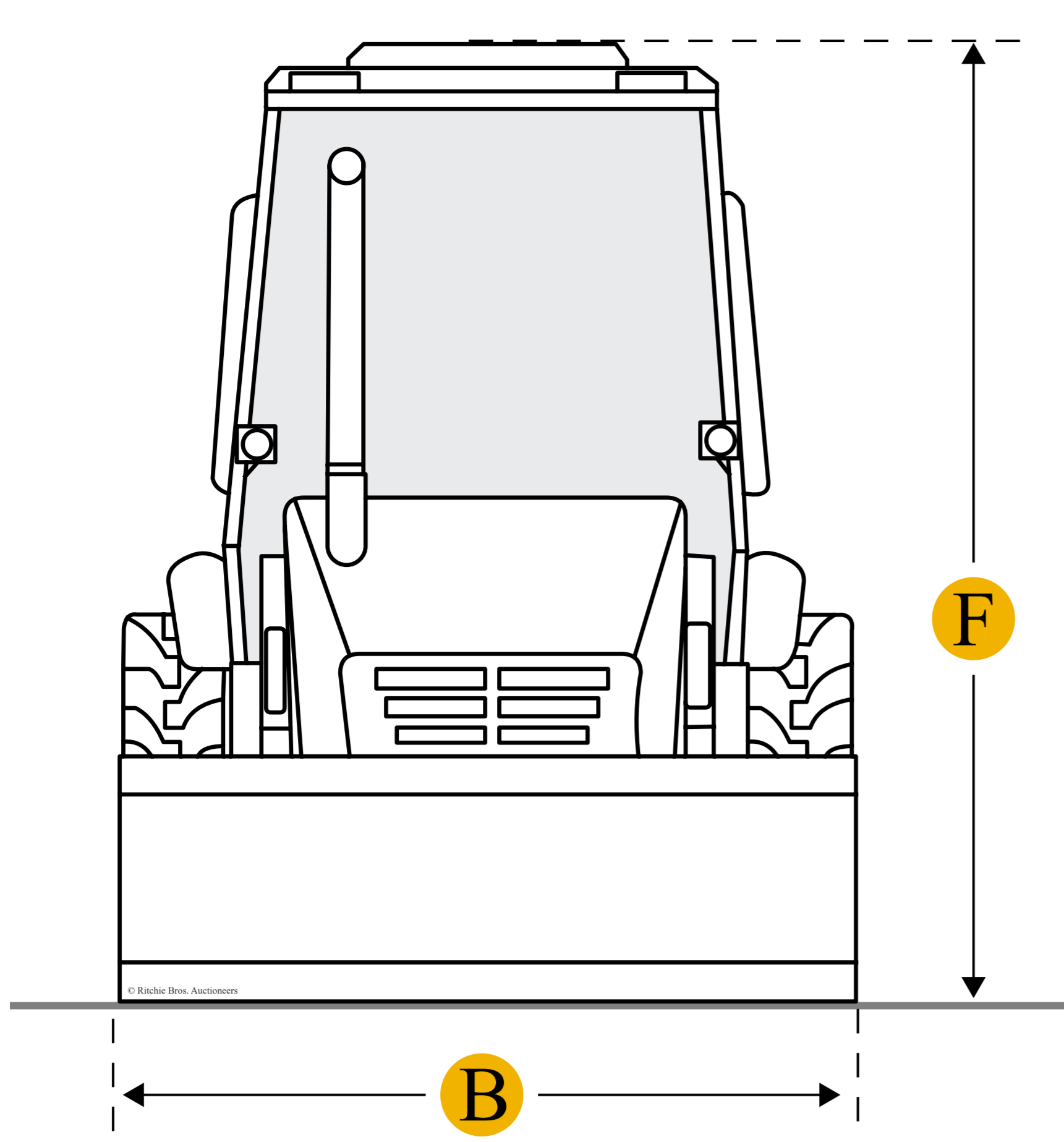


Komatsu WB140-2N Loader Backhoe



Units

Dimensions

Backhoe

| | |
|-------------------------------------|------------|
| L Dig Depth - Std | 4445 mm |
| M Reach At Load Height - Std | 2860 mm |
| Dig Depth - Ext | 5590 mm |
| Reach At Load Height - Ext | 3810 mm |
| Bucket Dig Force - Std | 4002.96 kg |

Dimensions

| | |
|--------------------------------|------------|
| A Transport Length | 7310 mm |
| B Transport Width | 2355 mm |
| C Transport Height | 3550 mm |
| D Wheelbase | 2175 mm |
| E Ground Clearance | 320 mm |
| Height To Top Of Suspended Cab | 2750 mm |
| Dump Angle | 45 |
| Front Tread Range | 1890 mm |
| Rear Tread Range | 1800 mm |
| Rollback @ Ground | 45 degrees |

Loader

| | |
|---------------------------------------|------------|
| G Clearance At Max Dump Height | 2743.2 mm |
| H Reach At Max Dump Height | 2860 mm |
| I Dig Depth | 90 mm |
| Bucket Capacity | 0.96 m3 |
| Bucket Width | 2355 mm |
| Lift Capacity At Full Height | 3751.21 kg |
| Bucket Breakout Force | 56.9 kN |

Specifications

Engine

| | |
|---------------------|--------------|
| Number Of Cylinders | 4 |
| Engine Make | Komatsu |
| Engine Model | S4D106-2XFH |
| Net Power | 64.9 kw |
| Gross Power | 69.4 kw |
| Power Measured @ | 2200 rpm |
| Torque Measured @ | 1400 rpm |
| Net Max Torque | 348 Nm |
| Aspiration | Turbocharged |
| Displacement | 4.4 L |
| Bore | 106 mm |
| Stroke | 125 mm |

Operational

| | |
|---------------------------------|-----------|
| Max Weight | 8949.9 kg |
| Hydraulic System Fluid Capacity | 92 L |
| Oil System Fluid Capacity | 7.9 L |
| Cooling System Fluid Capacity | 14 L |
| Front Axle Fluid Capacity | 8.5 L |
| Rear Axle Fluid Capacity | 17.5 L |
| Turning Radius | 4300 mm |
| Operating Voltage | 12 V |
| Alternator Supplied Amperage | 80 amps |

Transmission

| | |
|-------------------------|-----------|
| Number Of Forward Gears | 4 |
| Number Of Reverse Gears | 4 |
| Max Speed - Forward | 37.9 km/h |
| Max Speed Reverse | 37.9 km/h |

Hydraulic

| | |
|-----------------------|-----------------------------------|
| Pump Type | Closed center Load Sensing System |
| Pump Flow Capacity | 165.1 L/min |
| Relief Valve Pressure | 20684.3 kPa |