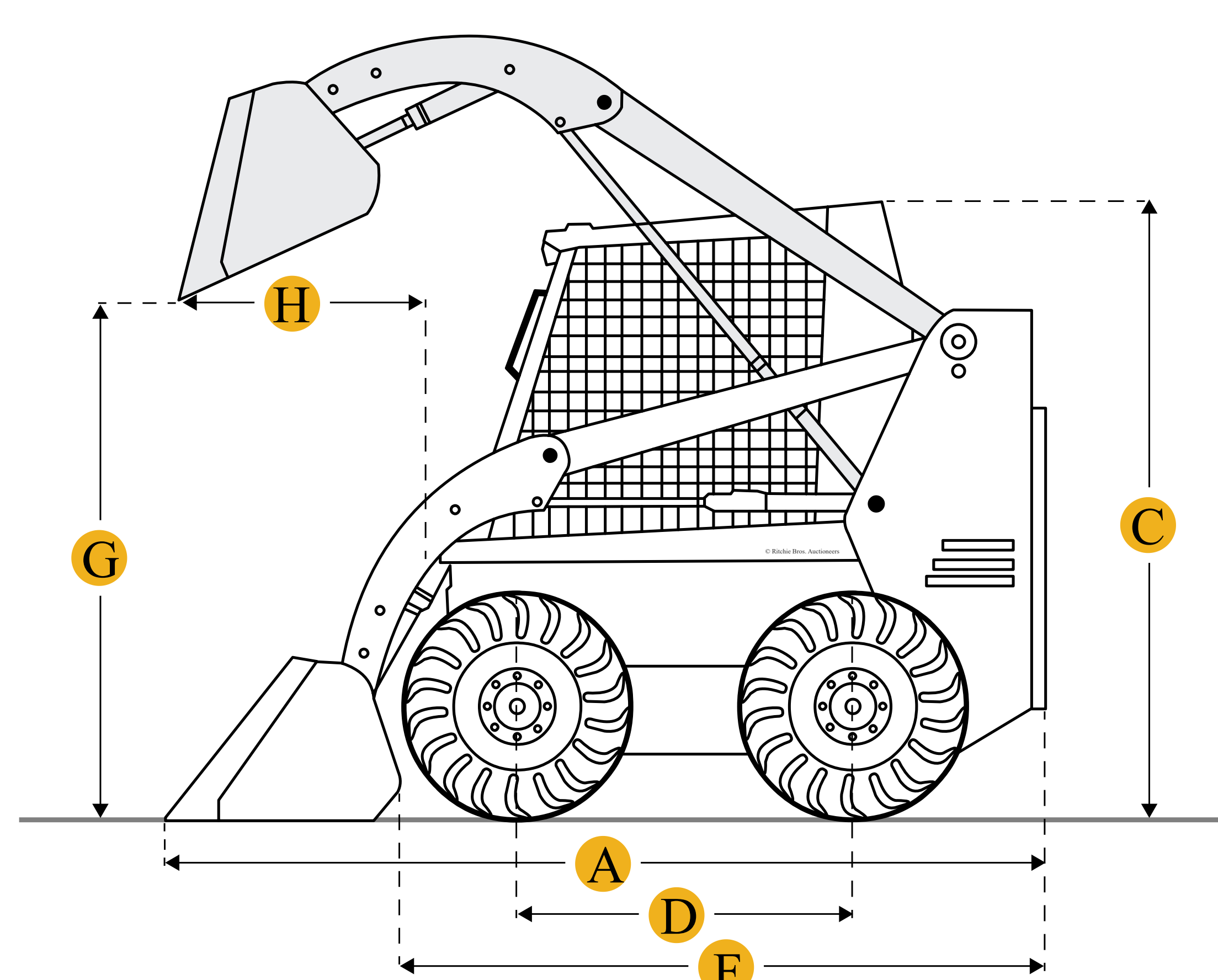
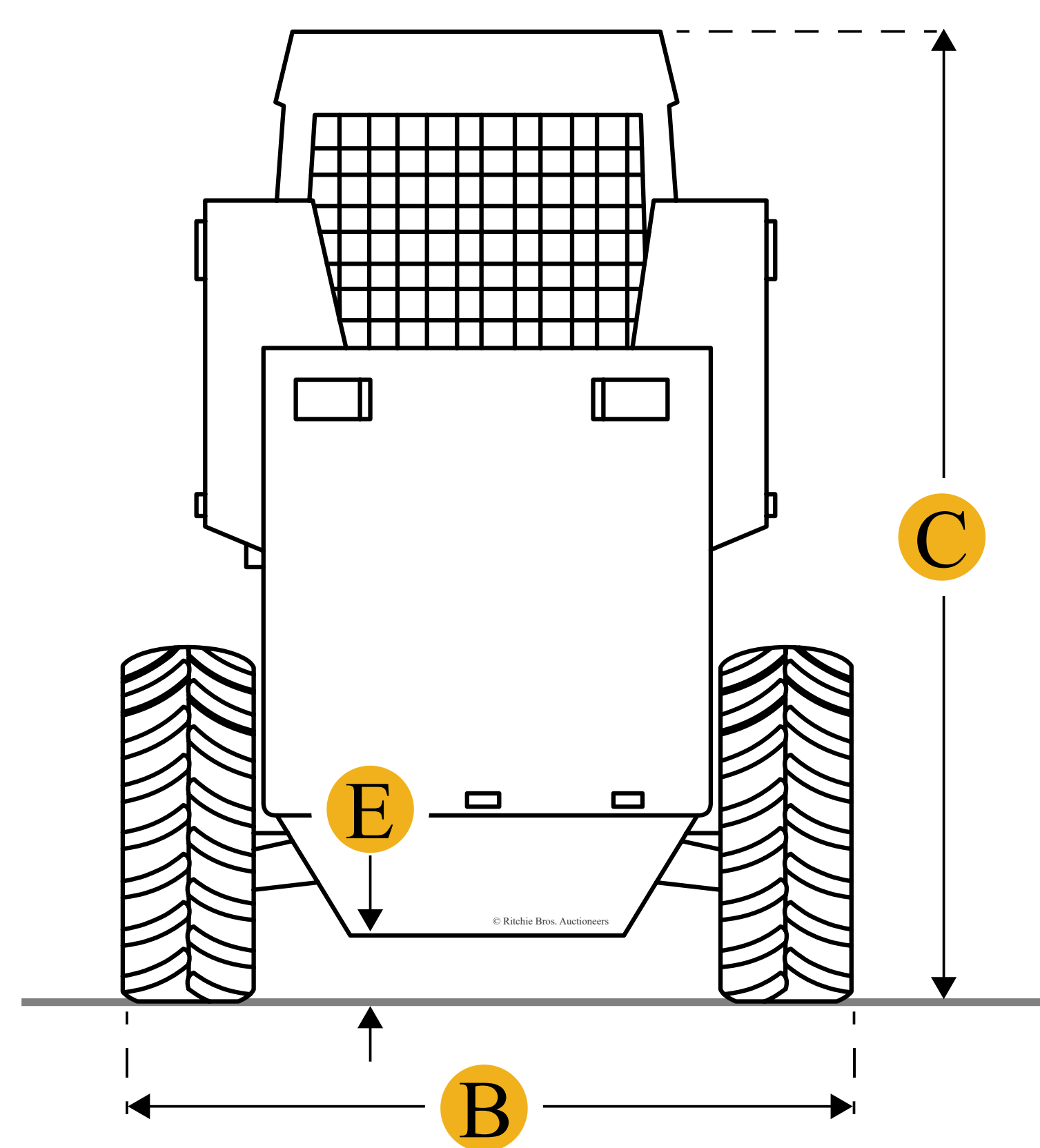
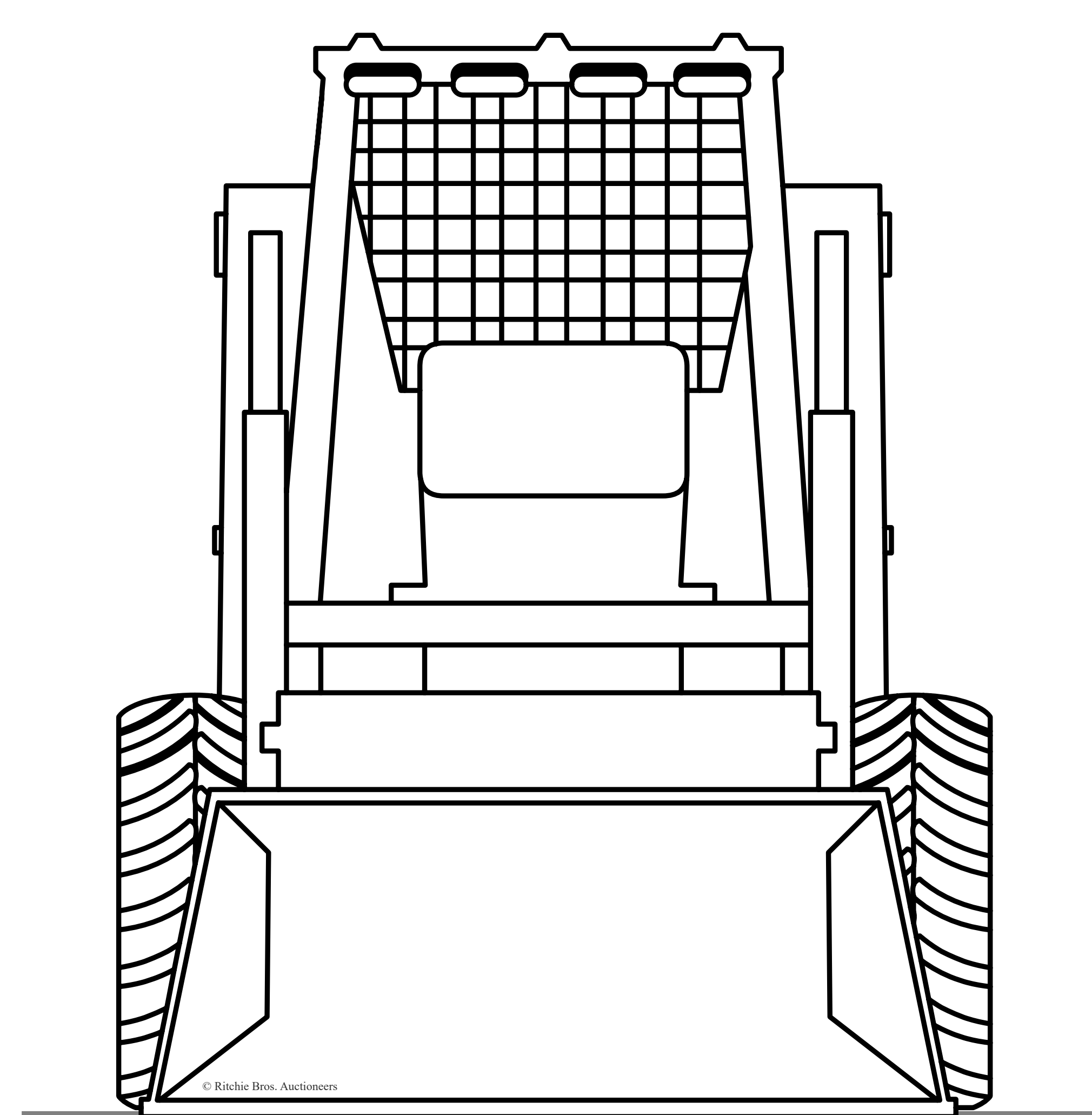


# John Deere 315 Skid Steer Loader



Units

## Dimensions

Dimensions	
<b>A</b> Length With Bucket	3270 mm
<b>B</b> Width Over Tires	1500 mm
<b>E</b> Ground Clearance	193 mm
<b>C</b> Height To Top Of Cab	1960 mm
<b>D</b> Wheelbase	1040 mm
<b>F</b> Length W/O Bucket	2570 mm
<b>G</b> Clearance At Max Lift And Dump	2260 mm
<b>H</b> Reach At Max Lift And Dump	401 mm
Turning Radius From Center - Inc Bucket	1930 mm

## Specifications

Engine	
Number Of Cylinders	4
Engine Make	2240
Engine Model	4024T
Gross Power	36.6 kw
Net Power	33.6 kw
Power Measured @	2400 rpm
Aspiration	Turbocharged
Displacement	2.5 L
Operational	
Operational Weight	2358.7 kg
Fuel Capacity	66 L
Cooling System Fluid Capacity	6.2 L
Engine Oil Fluid Capacity	9 L
Max Speed	11 km/h
Hydraulic System Fluid Capacity	19 L
Chain Box Fluid Capacity - Each Side	16.3 L
Tire Size	10x16.5 8 PR
Operating Voltage	12 V
Alternator Supplied Amperage	70 amps
Loader	
Breakout Force	1498 kg
Operating Load Rating	681 kg
Tipping Angle	3000 degrees
Bucket Capacity	0.5 m3
Hydraulic	
Pump Flow Capacity	61 L/min
Relief Valve Pressure	23786.9 kPa