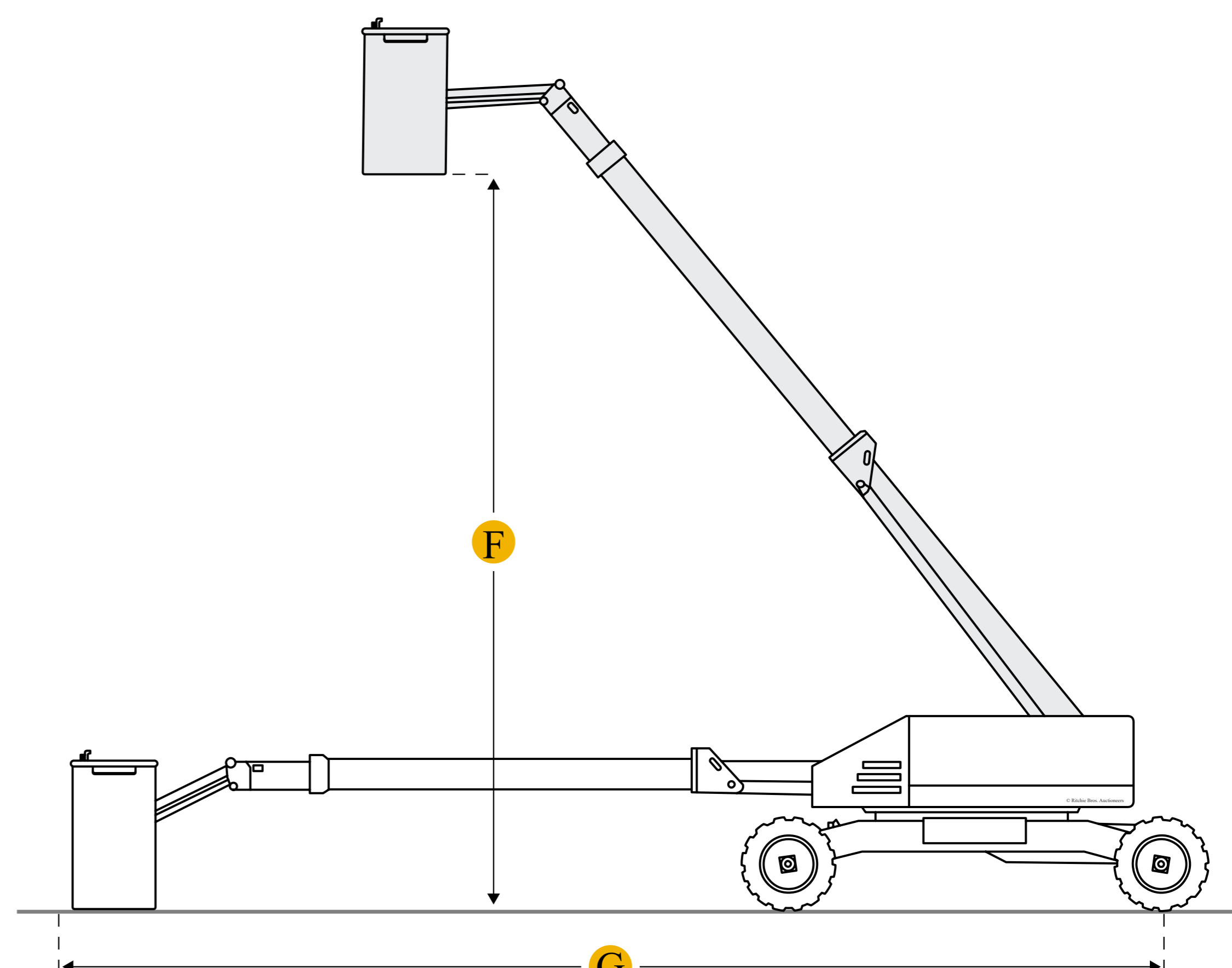
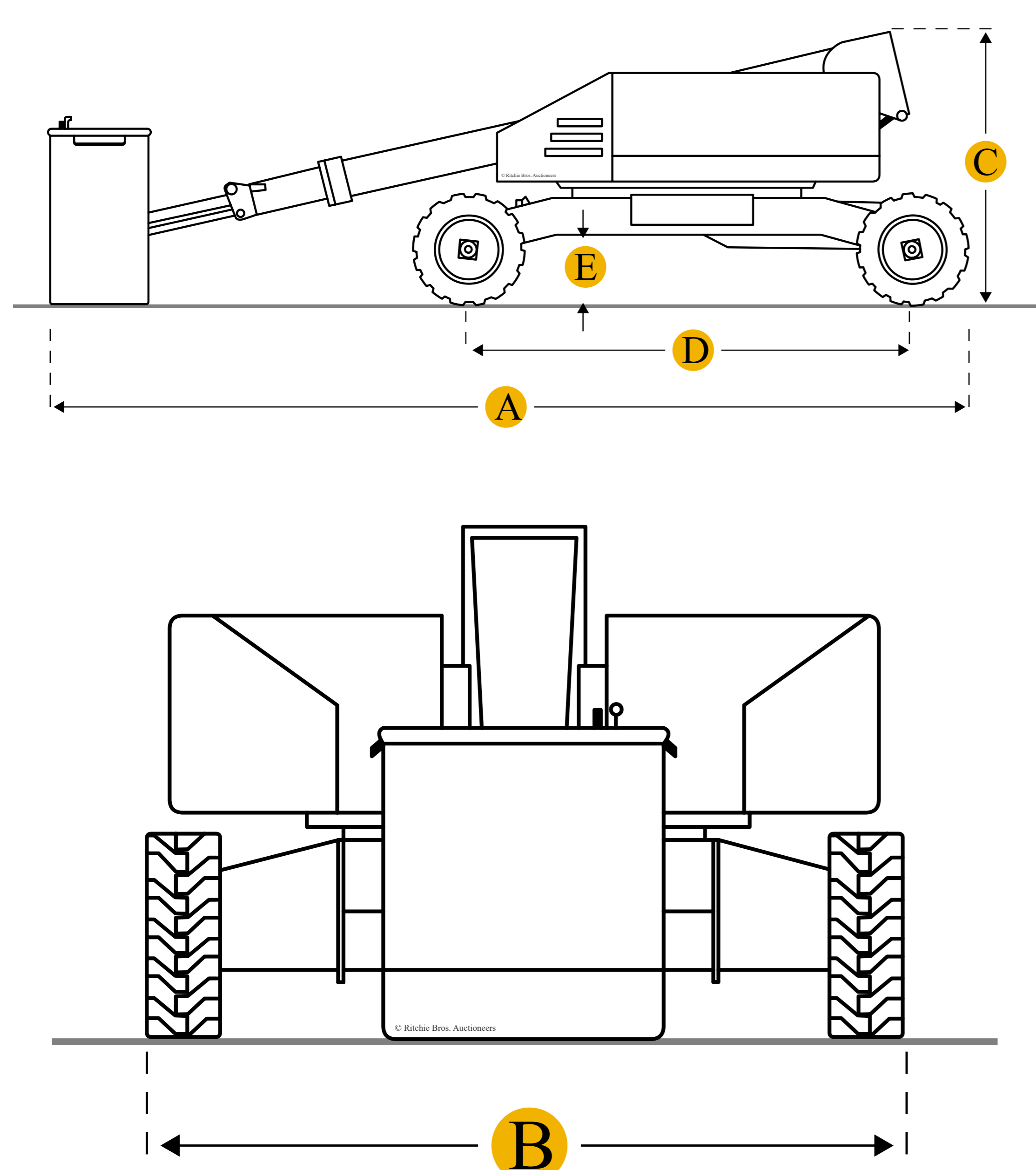


JLG 600S 4WD



Units

Dimensions

Dimensions	
A Overall Length	8712.21 mm
B Overall Width	2499.36 mm
C Overall Height - Mast Lowered	2570 mm
D Wheelbase	2460 mm
E Ground Clearance	279.4 mm
Tailswing Radius	1219.2 mm
Overall Height	2499.36 mm
Platform Dimension A	0.91 m
Platform Dimension B	2.44 m
Turning Radius	3901.44 mm

Platform	
F Max Platform Height	18360 mm
G Max Horizontal Reach	15300.96 mm
Platform Railing Height	18.2 m
Platform Rotation	160 degrees
Platform Inner Width	910 mm
Platform Inner Length	2440 mm
Max Platform Weight Capacity	454 kg

Specifications

Engine	
Fuel Tank	117.4 L
Diesel Engine Type	Deutz TD2.9L4 Tier 4 Final
Diesel Engine Power	50 kw
Dual Fuel Engine Type	Ford MSG425-DF
Dual Fuel Engine Power	62.7 kw
Engine Make	2349
Engine Model	F4M2011
Gross Power	48 kw
Fuel Type	Diesel
System Voltage	12 V

Operational	
Operating Weight	9734.6 kg
Fuel Capacity	151 L
Hydraulic System Fluid Capacity	128.8 L
Max Speed	6.8 km/h
Tire Size	41/181.1 X 22.5
Tire Fill/Type	Lug Tread

Performance	
Axle Oscillation	0.2 m
Drive Speed	6.2 km/h
Swing	360 degrees
Gradeability	45 %