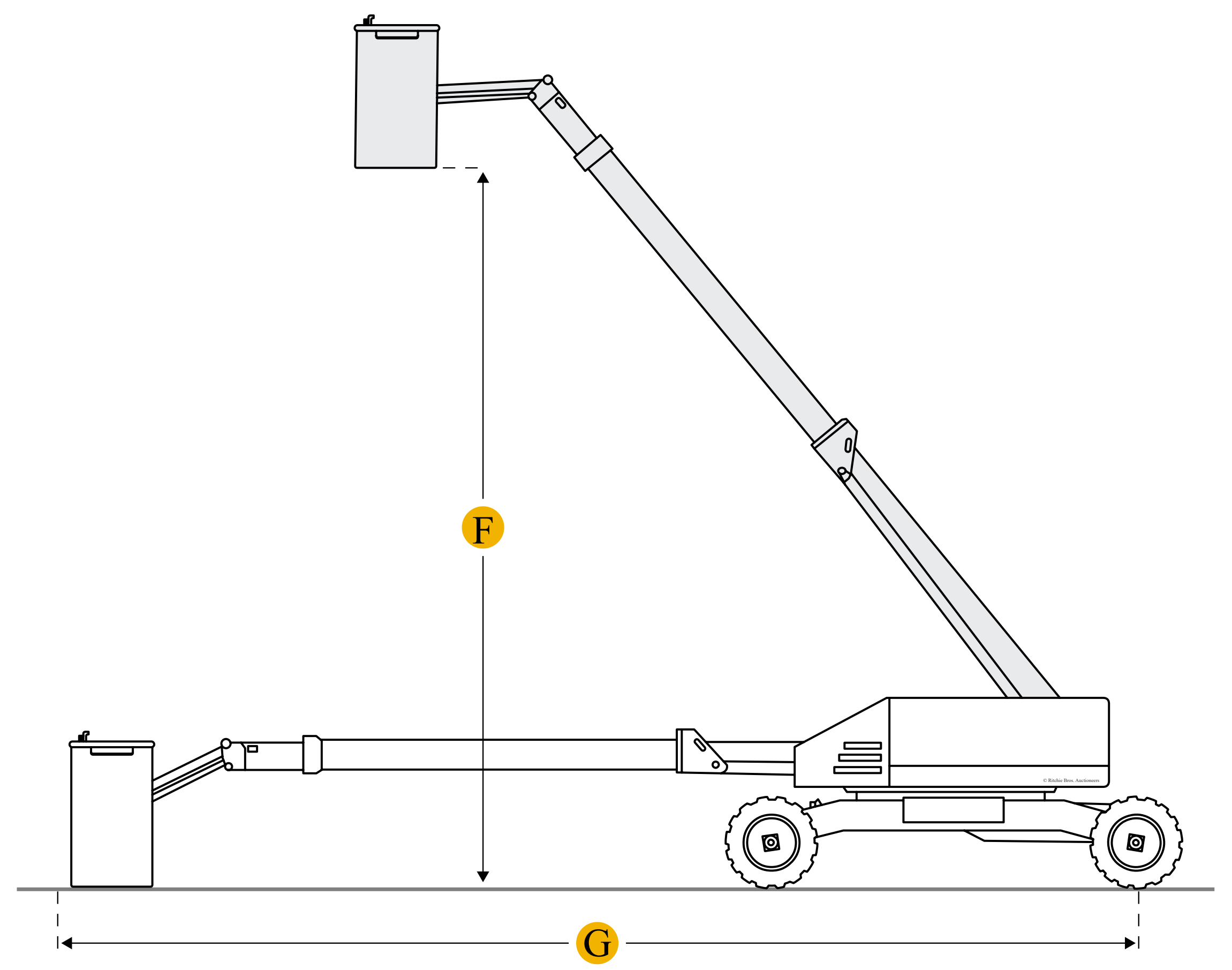
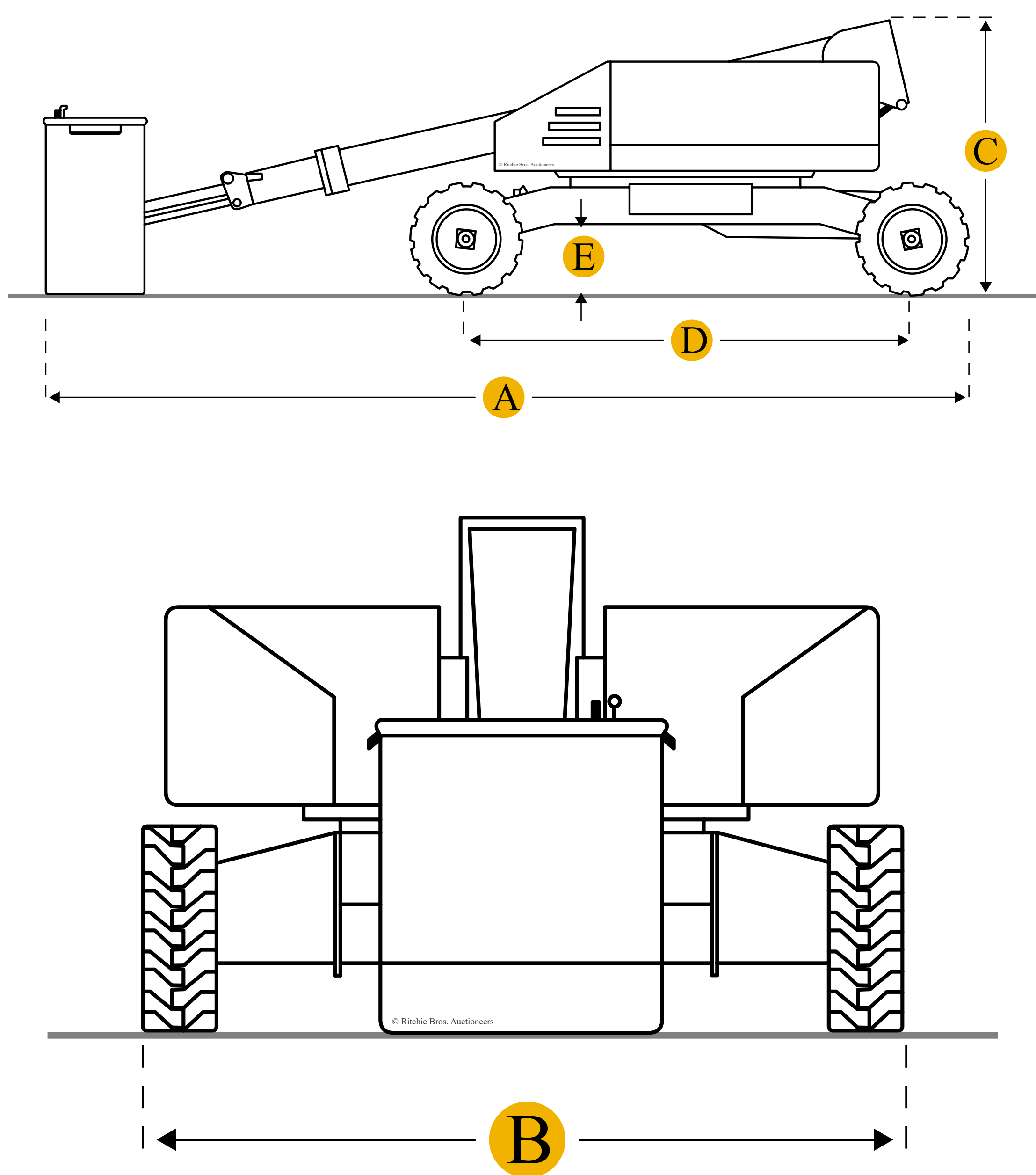


# JLG 600A



Units

## Dimensions

### Dimensions

<b>A Overall Length</b>	8050 mm
<b>B Overall Width</b>	2130 mm
<b>C Overall Height - Mast Lowered</b>	2540 mm
<b>D Wheelbase</b>	2440 mm
<b>E Ground Clearance</b>	200 mm
<b>Turning Radius</b>	3400 mm

### Platform

<b>F Max Platform Height</b>	18420 mm
<b>G Max Horizontal Reach</b>	12070 mm
<b>Platform Inner Width</b>	910 mm
<b>Platform Inner Length</b>	2440 mm
<b>Max Platform Weight Capacity</b>	450 kg
<b>Platform Rotation</b>	180 degrees

## Specifications

### Engine

<b>Engine Make</b>	2349
<b>Engine Model</b>	D2011L04
<b>Gross Power</b>	36.5 kw
<b>Fuel Type</b>	Diesel

### Operational

<b>Operating Weight</b>	10931 kg
<b>Fuel Capacity</b>	113.6 L
<b>Hydraulic System Fluid Capacity</b>	115.8 L
<b>Max Speed</b>	6.8 km/h
<b>Tire Size</b>	14x17.5
<b>Tire Fill/Type</b>	Air Boss