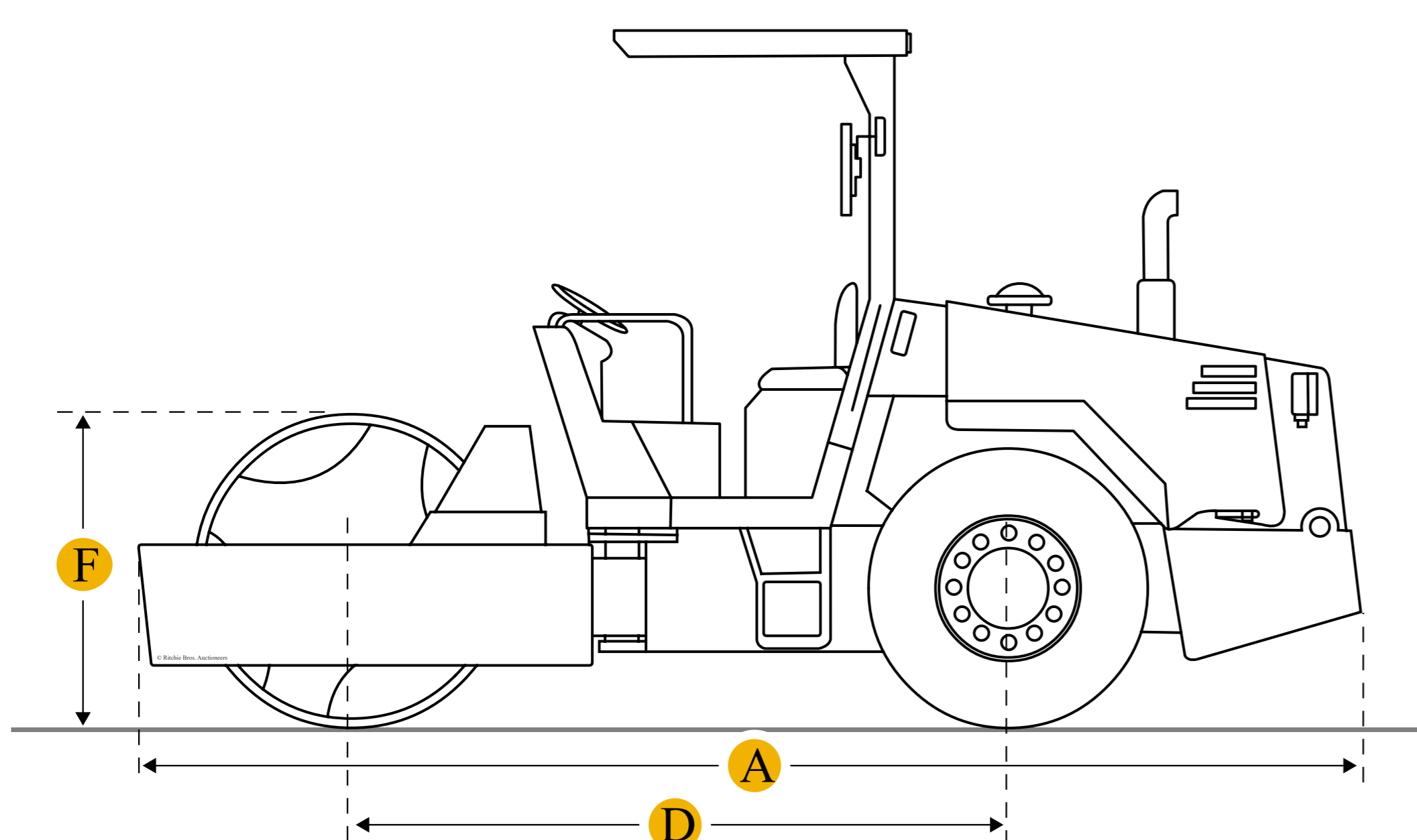
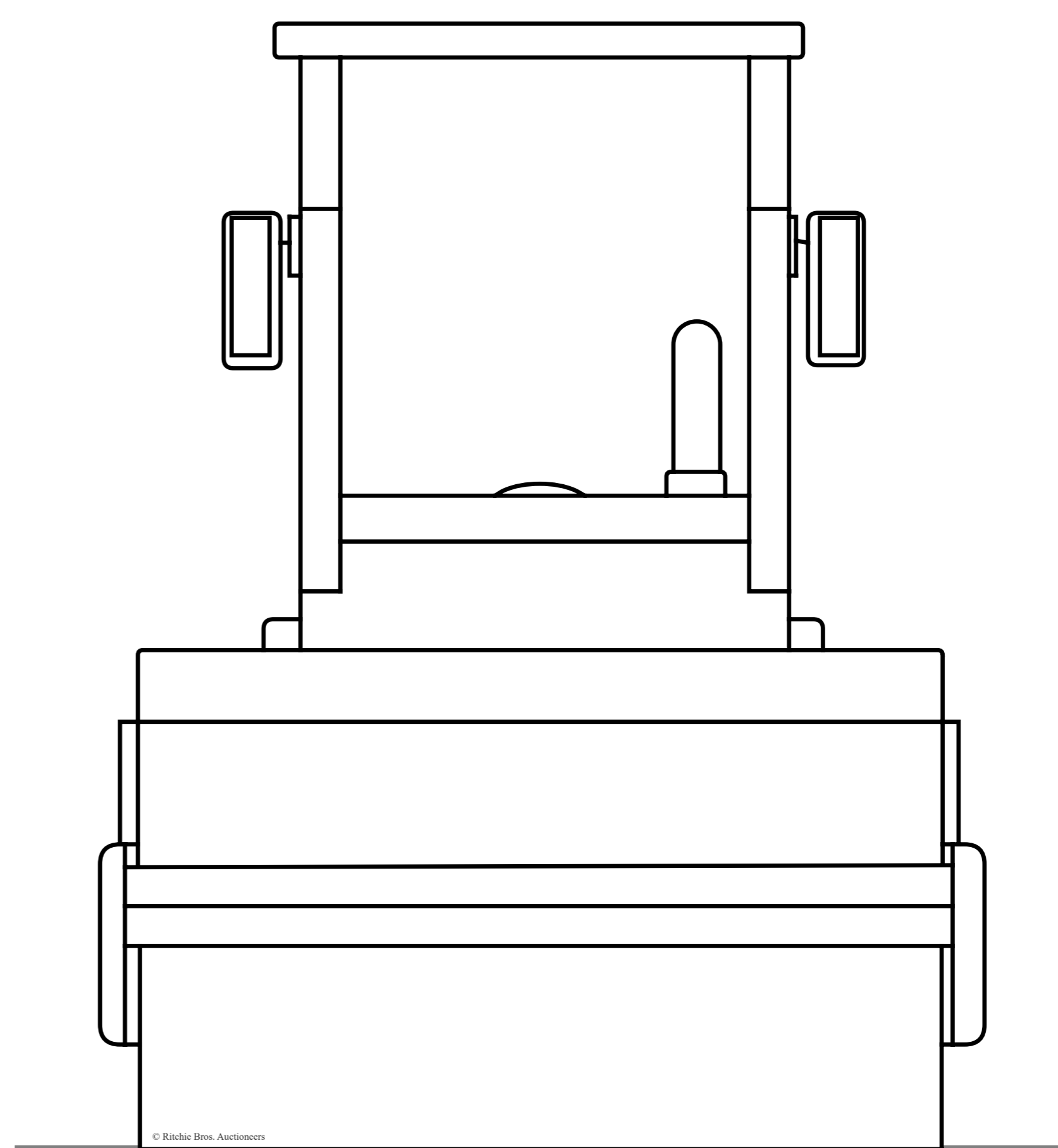
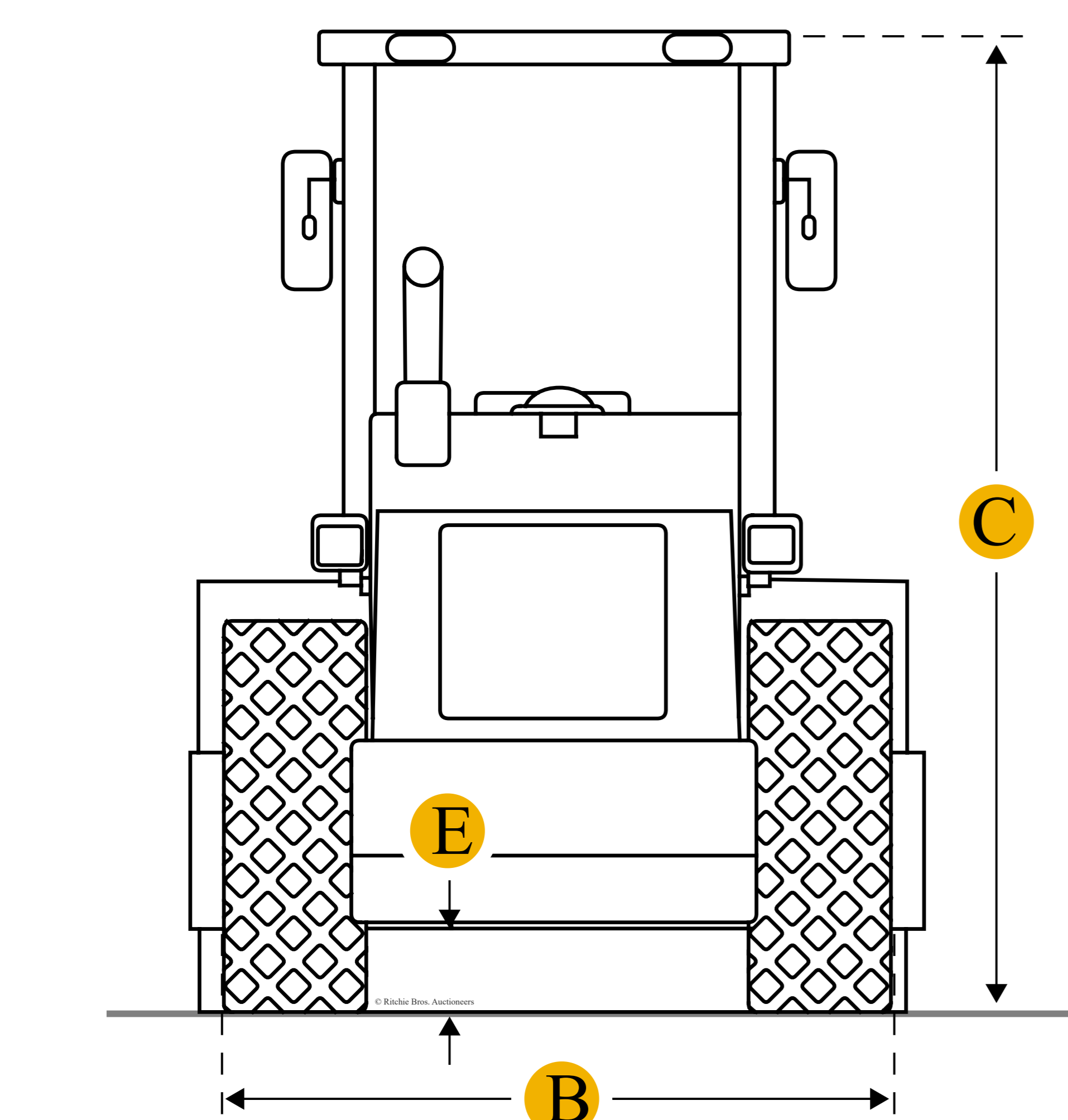


# JCB VM75D Vibratory Smooth Drum Roller



Units

## Dimensions

### Dimensions

|                               |         |
|-------------------------------|---------|
| <b>A Overall Length</b>       | 4887 mm |
| <b>B Overall Width</b>        | 1870 mm |
| <b>C Height To Top Of Cab</b> | 2845 mm |
| <b>D Wheelbase</b>            | 2514 mm |
| <b>E Ground Clearance</b>     | 389 mm  |

## Specifications

### Engine

|                            |              |
|----------------------------|--------------|
| <b>Number Of Cylinders</b> | 4            |
| <b>Engine Make</b>         | 2347         |
| <b>Engine Model</b>        | B 3.3        |
| <b>Gross Power</b>         | 59.7 kw      |
| <b>Power Measured @</b>    | 2200 rpm     |
| <b>Displacement</b>        | 3.3 L        |
| <b>Aspiration</b>          | turbocharged |

### Operational

|  |                 |
|--|-----------------|
| <b>Operating Weight</b>                | 7300.2 kg       |
| <b>Fuel Capacity</b>                   | 230 L           |
| <b>Cooling System Fluid Capacity</b>   | 14 L            |
| <b>Engine Oil Capacity</b>             | 8 L             |
| <b>Hydraulic System Fluid Capacity</b> | 80 L            |
| <b>Max Speed</b>                       | 11 km/h         |
| <b>Tires *If Applicable</b>            | 14.9-24/6PR AWT |
| <b>Operating Voltage</b>               | 12 V            |
| <b>Alternator Supplied Amperage</b>    | 60 amps         |

### Drum

|                                 |            |
|---------------------------------|------------|
| <b>Drum Width</b>               | 1750 mm    |
| <b>Drum Diameter</b>            | 1220 mm    |
| <b>Static Linear Load</b>       | 20.6 kg/cm |
| <b>Vibration Frequency 1</b>    | 29 Hz      |
| <b>Nominal Amplitude - High</b> | 0.8 mm     |
| <b>Vibration Frequency 2</b>    | 36 Hz      |
| <b>Centrifugal Force - High</b> | 84.1 kN    |