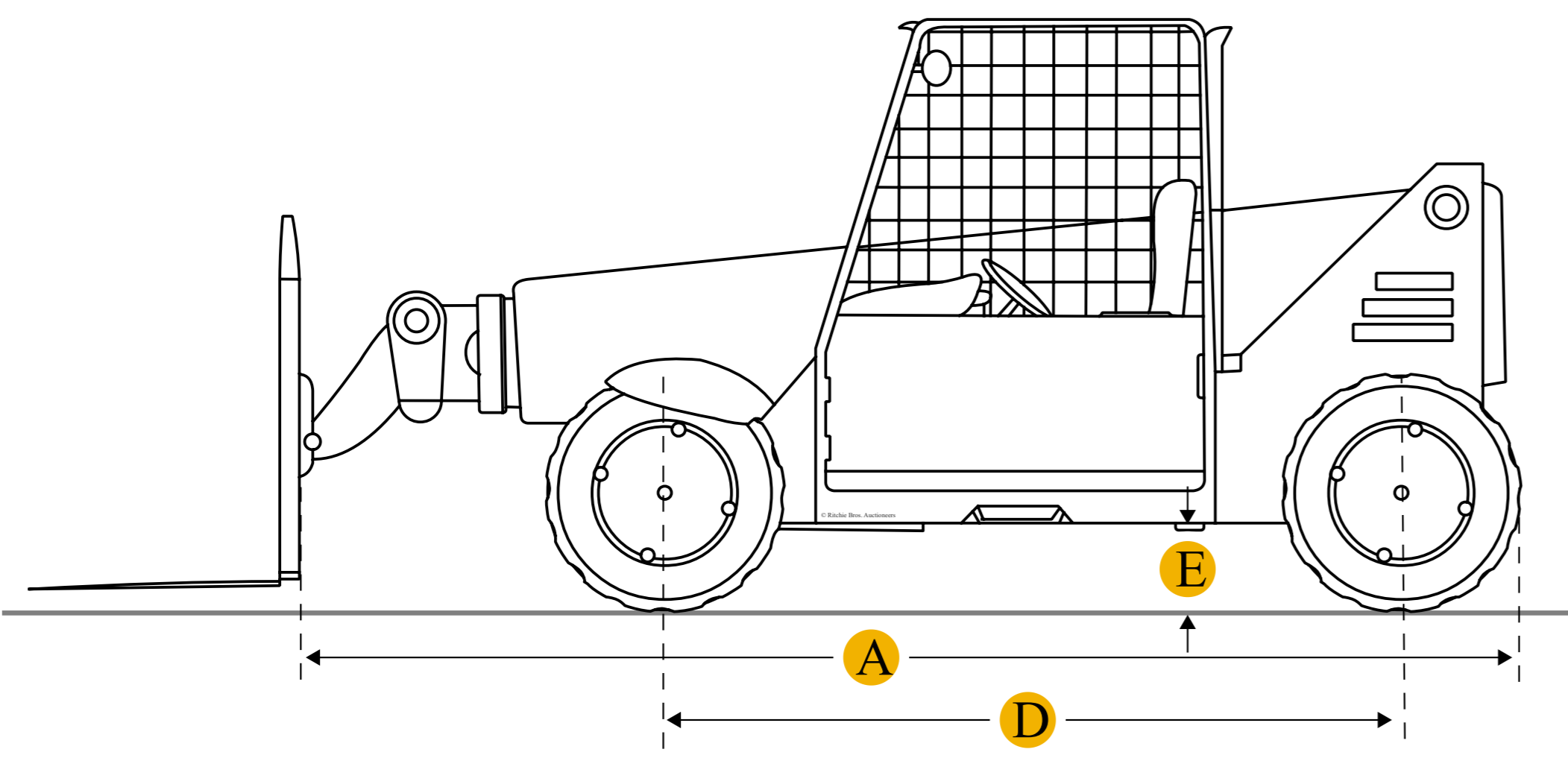
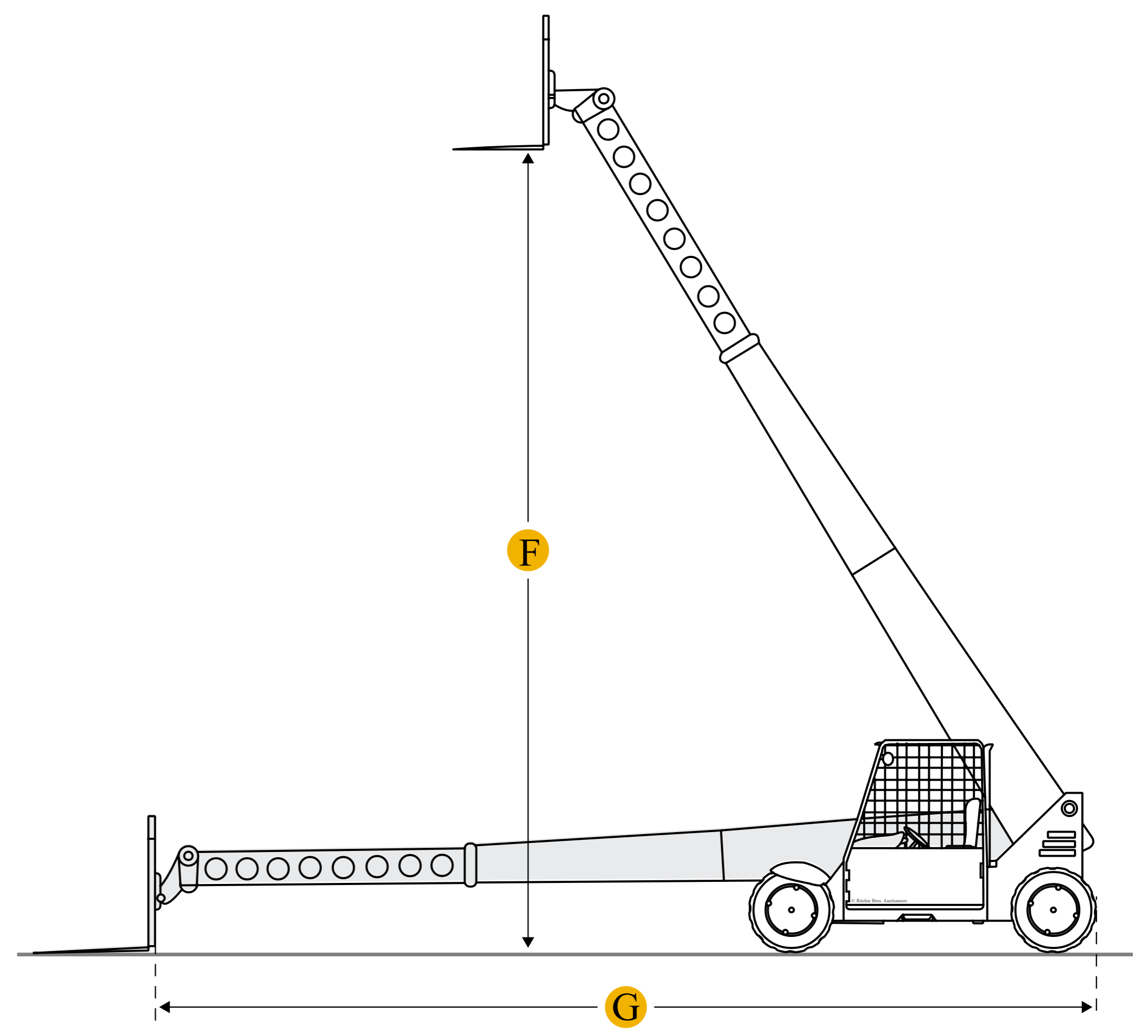
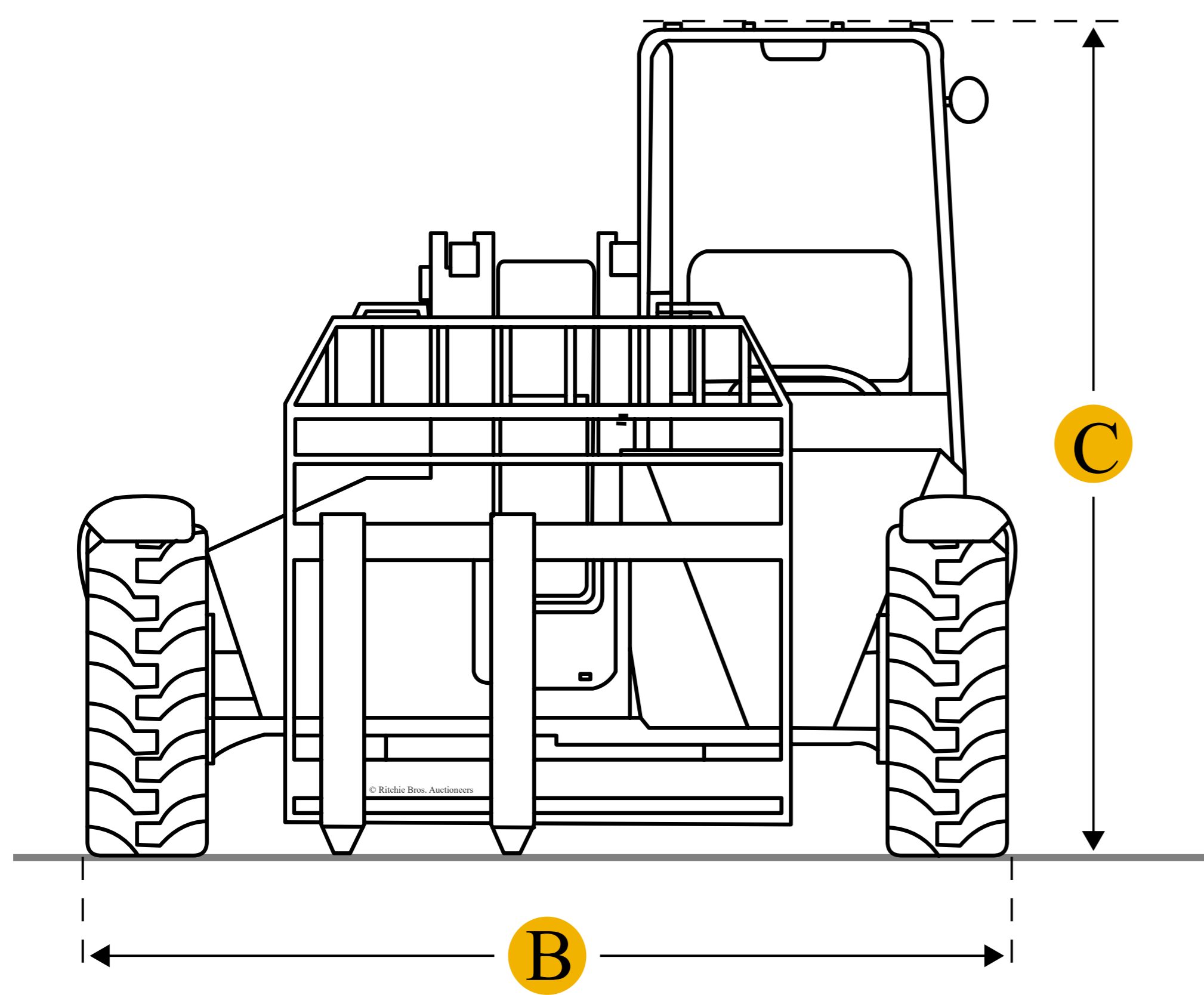


JCB 506C Telescopic Forklift



Units Imperial Metric

Dimensions

Dimensions

A Length To Fork Face	17.52 ft in
E Ground Clearance	1.35 ft in
B Width Over Tires	7.68 ft in
C Overall Height	8.76 ft in
D Wheelbase	9.13 ft in
Turning Radius Outside Tires	13.52 ft in

Lift

F Max Lift Height	36.09 ft in
G Max Forward Reach	22.97 ft in
Max Load At Max Reach	2000 lb
Max Load At Max Height	6000 lb
Max Lift Capacity	6000 lb

Specifications

Engine

Number Of Cylinders	4
Gross Power	82.5 hp
Power Measured @	2200 rpm
Max Torque	227 lb ft
Torque Measured @	1400 rpm
Displacement	269 cu in
Aspiration	Naturally aspirated

Operational

Operating Weight	21040 lb
Fuel Capacity	35 gal
Hydraulic System Fluid Capacity	32 gal
Operating Voltage	12 V
Alternator Supplied Amperage	65 amps
Tire Size	13.00x24

Transmission

Transmission Type	4 speed synchroshuttle gearbox
Number Of Forward Gears	4
Number Of Reverse Gears	4
Max Speed - Forward	15.5 mph
Max Speed - Reverse	15.5 mph

Hydraulic

Pump Type	Two stage gear pump with suction strainer and filter
Pump Flow Capacity	29.1 gal/min
Relief Valve Pressure	3500 psi