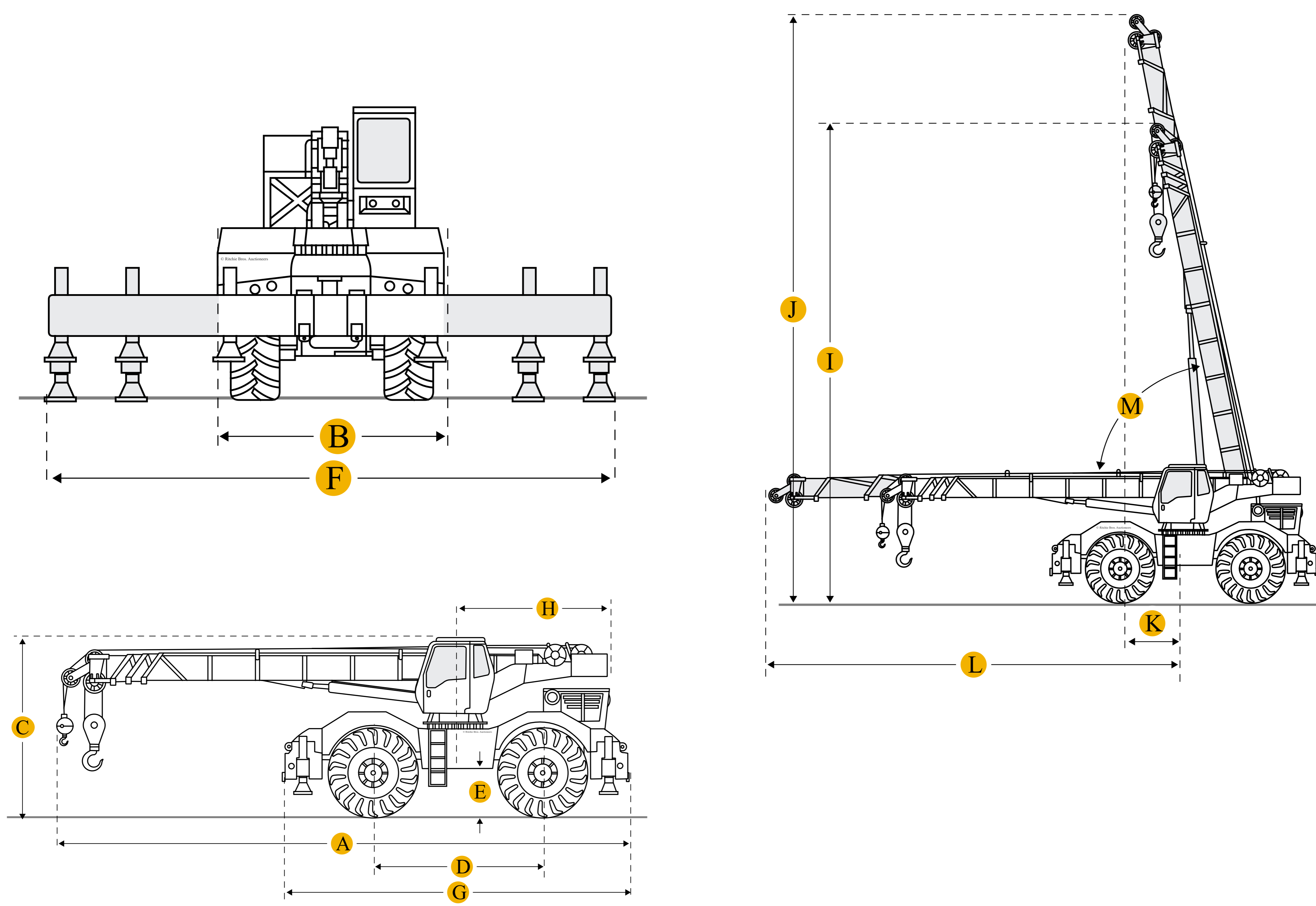


Galion 150FA Rough Terrain Crane



Units

Imperial

Metric

Dimensions

Boom	
I Min Height @ Max Raise Angle	6.1 m
J Max Height @ Max Raise Angle - No Jib	18.29 m
K Min Operating Radius	3.05 m
M Max Elevating Angle	70 degrees
L Max Operating Radius	18.29 m
Swing Speed	4.41 rpm
Max Lift Capacity	13608 kg
Number Of Sections	4
Dimensions	
A Transport Length	8992 mm
B Transport Width	2438 mm
C Transport Height	3378 mm
D Wheelbase	2743 mm
F Width W/ Outriggers Extended	4331 mm
G Carrier/Base Length	5.15 m

Specifications

Engine	
Number Of Cylinders	6
Engine Make	Komatsu
Engine Model	S6D102E-1
Net Power	90.3 kw
Power Measured @	2500 rpm
Max Torque	499 Nm
Torque Measured @	1200 rpm
Displacement	5.9 L
Fuel Type	Diesel
Bore	102 mm
Stroke	120 mm
Aspiration	Turbocharged
Operational	
Operating Weight	18980 kg
Operating Voltage	12 V
Alternator Supplied Amperage	62 amps
Tire Size	14.00 x 24-16 PR
Transmission	
Transmission Type	Powershift
Max Speed - Forward	42.6 km/h
Max Speed - Reverse	42.6 km/h