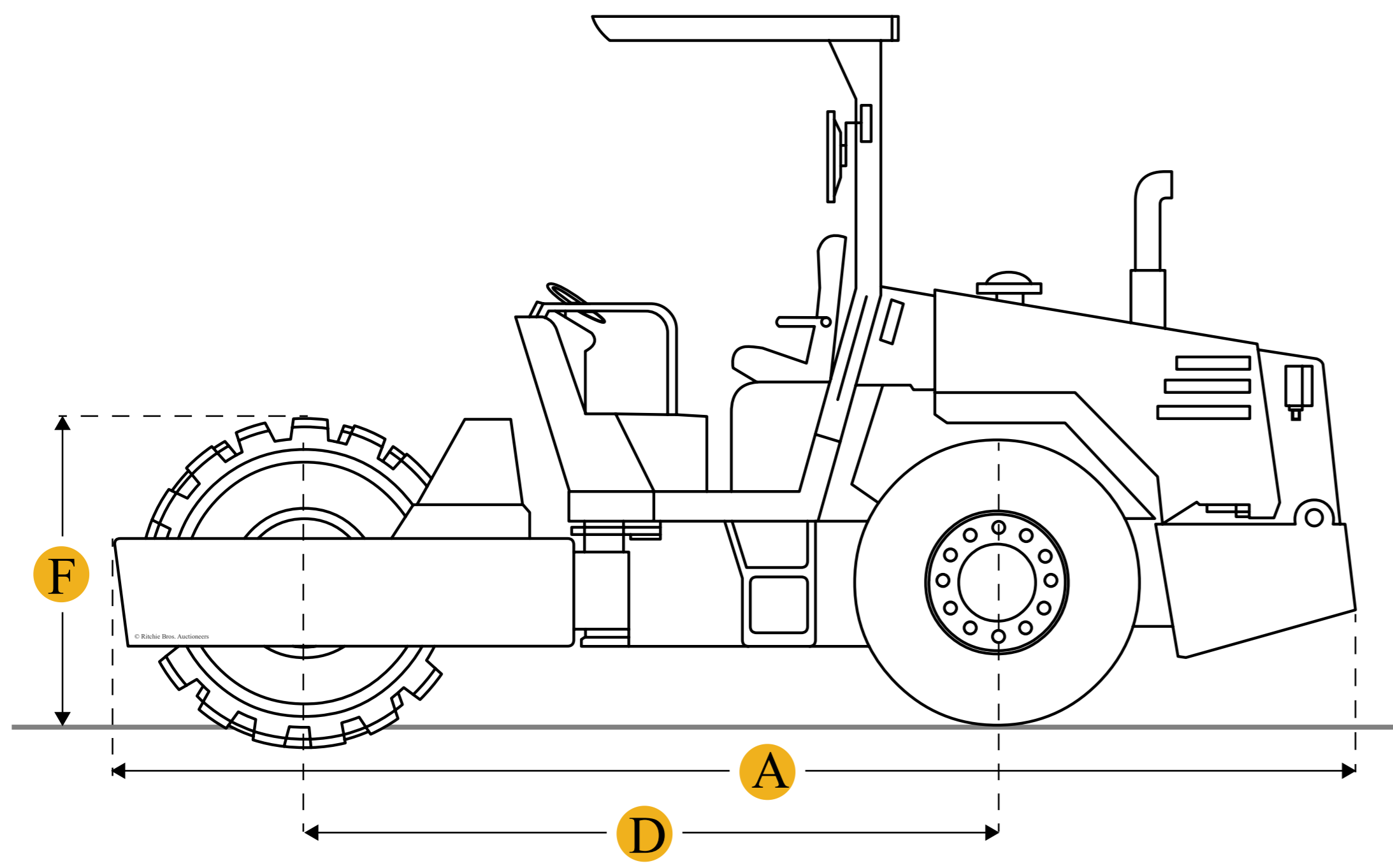
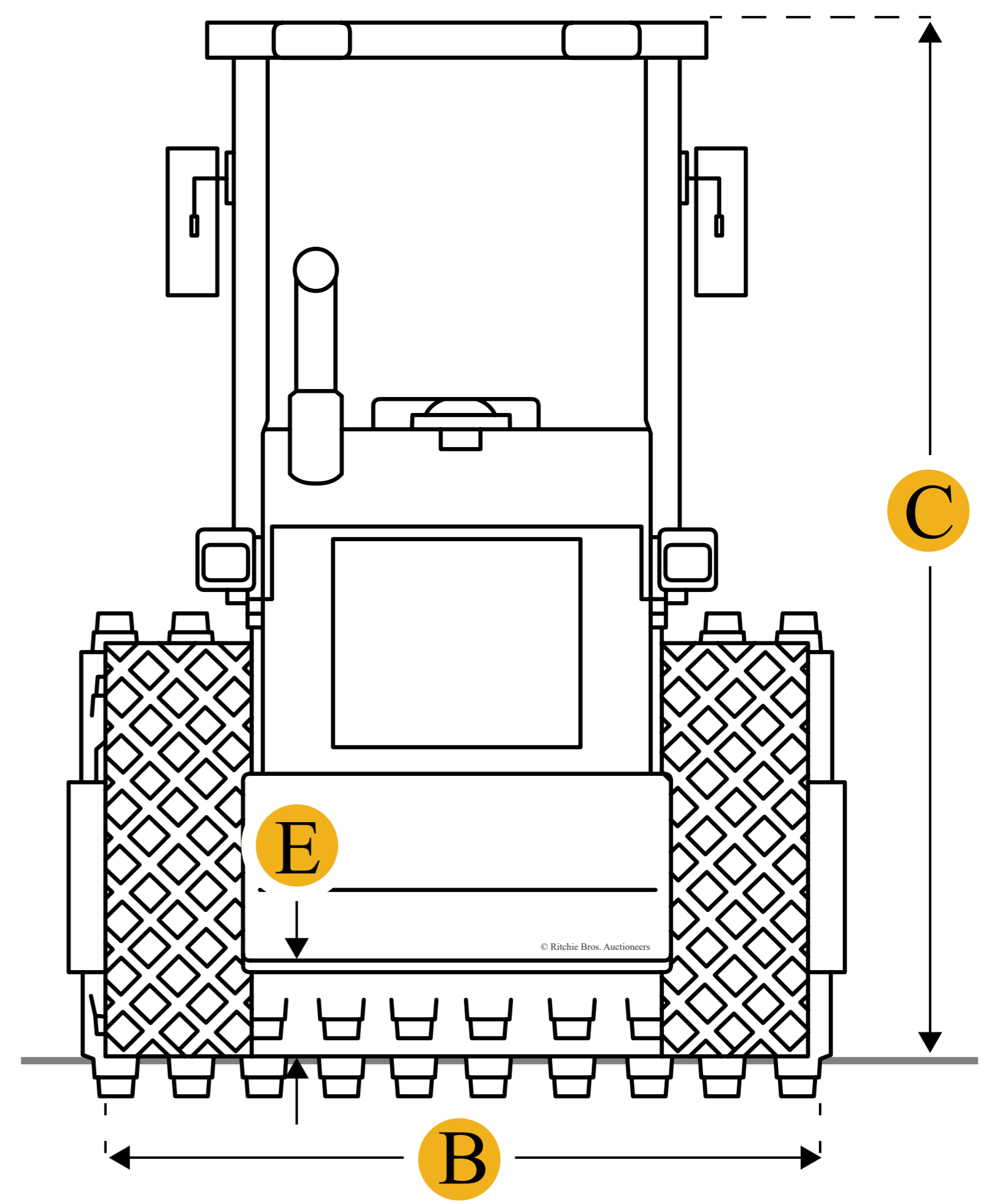
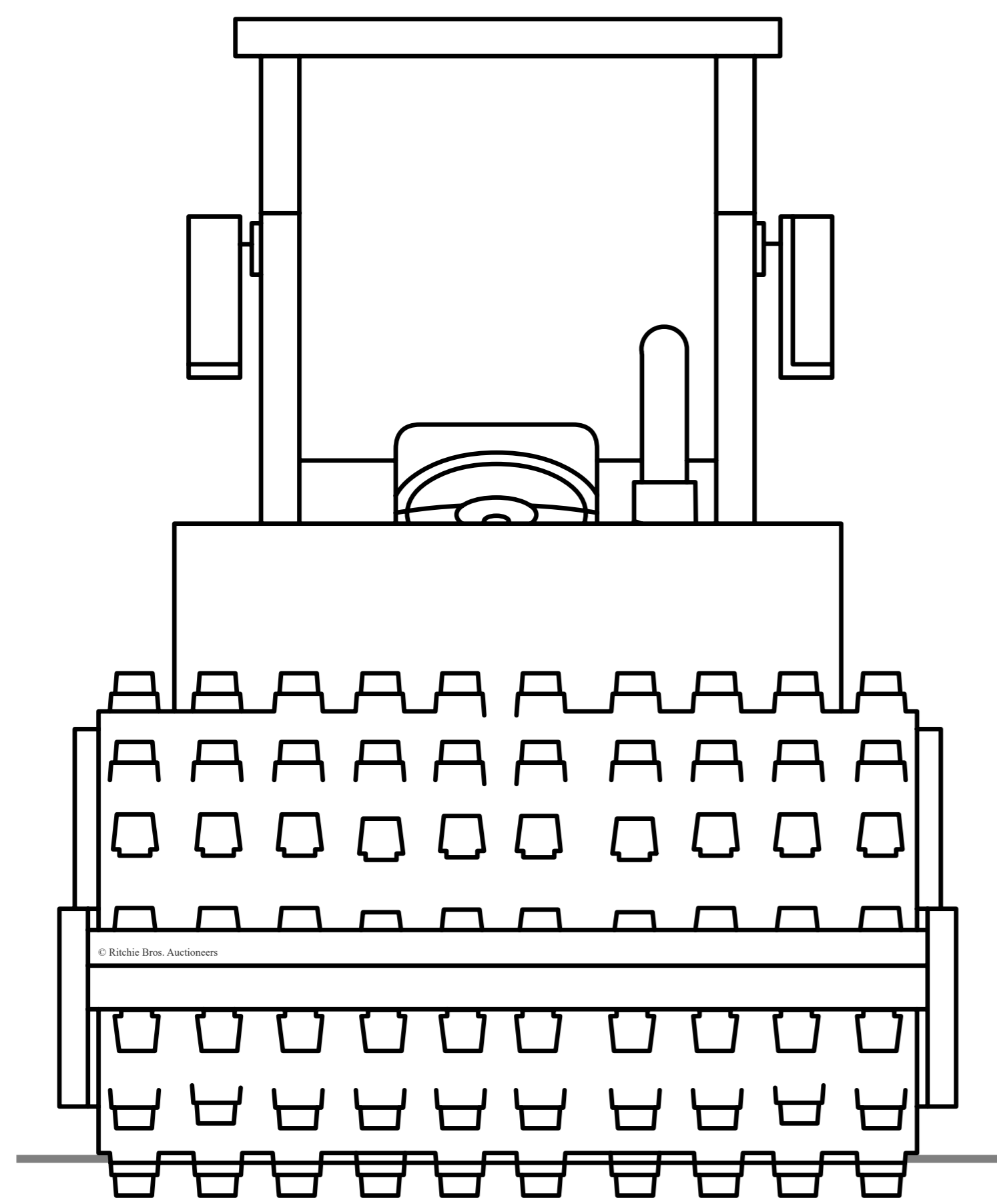


# Dynapac CA262PD Vibratory Compactor



Units

## Dimensions

### Dimensions

<b>A Overall Length W/O Blade</b>	5758 mm
<b>B Width Over Tires</b>	2130 mm
<b>C Height To Top Of Cab</b>	2996 mm
<b>D Wheelbase</b>	2879 mm
<b>E Ground Clearance</b>	453 mm

### Drum

<b>F Drum Diameter</b>	1523 mm
<b>Pad Height</b>	100 mm
<b>Pad Surface Area</b>	14600 cm <sup>2</sup>
<b>Vibration Frequency 1</b>	33 Hz
<b>Nominal Amplitude - Low</b>	0.8 mm
<b>Centrifugal Force - Low</b>	146 kN
<b>Drum Width</b>	2130 mm
<b>Nominal Amplitude - High</b>	1.6 mm
<b>Centrifugal Force - High</b>	300 kN
<b>Number Of Pads</b>	150

## Specifications

### Engine

<b>Engine Make</b>	2347
<b>Engine Model</b>	QSB 6.7 T3
<b>Gross Power</b>	112 kw
<b>Power Measured @</b>	2200 rpm
<b>Aspiration</b>	water cooled turbo diesel with after cooler

### Operational

<b>Operating Weight</b>	12100 kg
<b>Fuel Capacity</b>	320 L
<b>Max Speed</b>	9 km/h
<b>Tires</b>	23.1x26