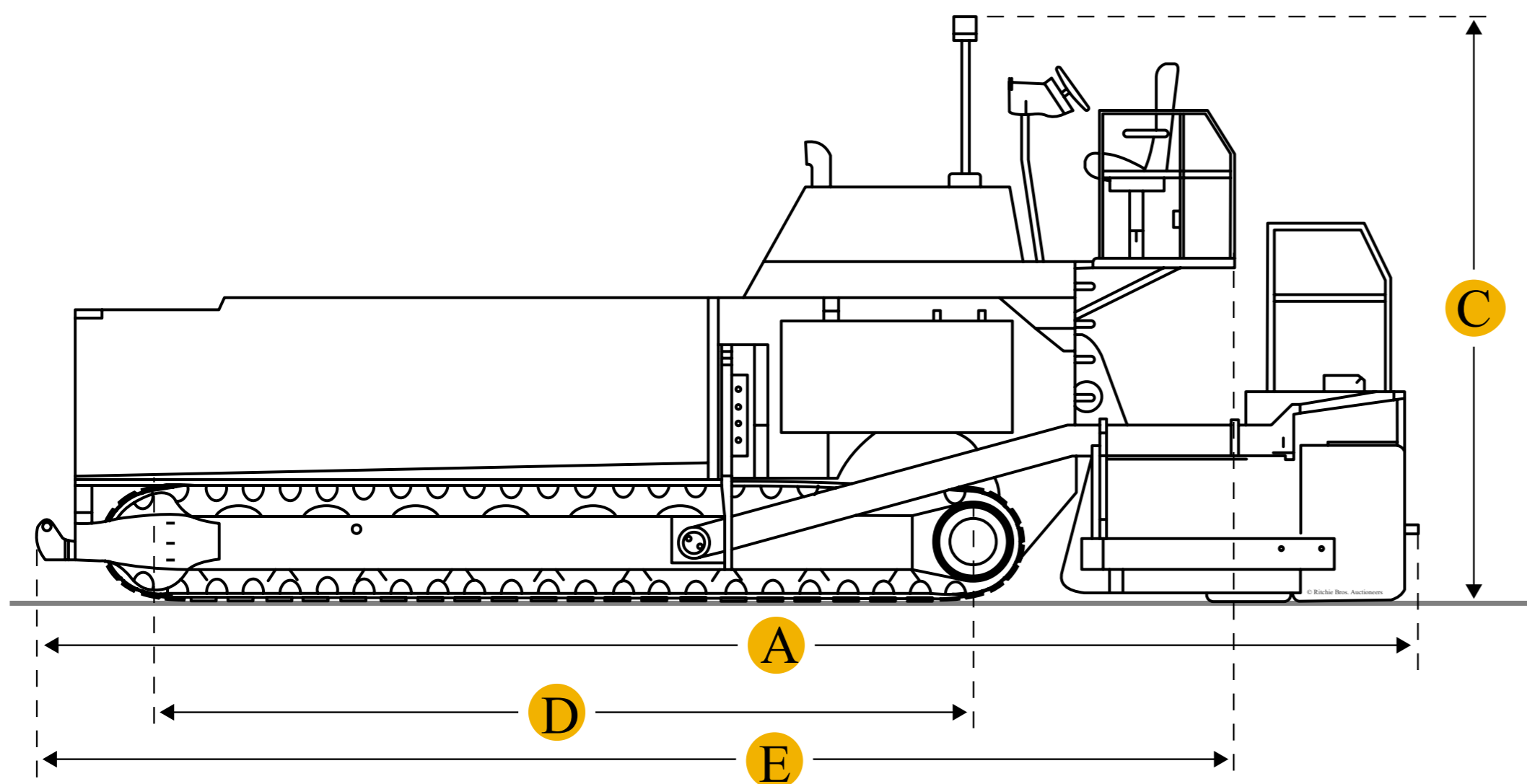
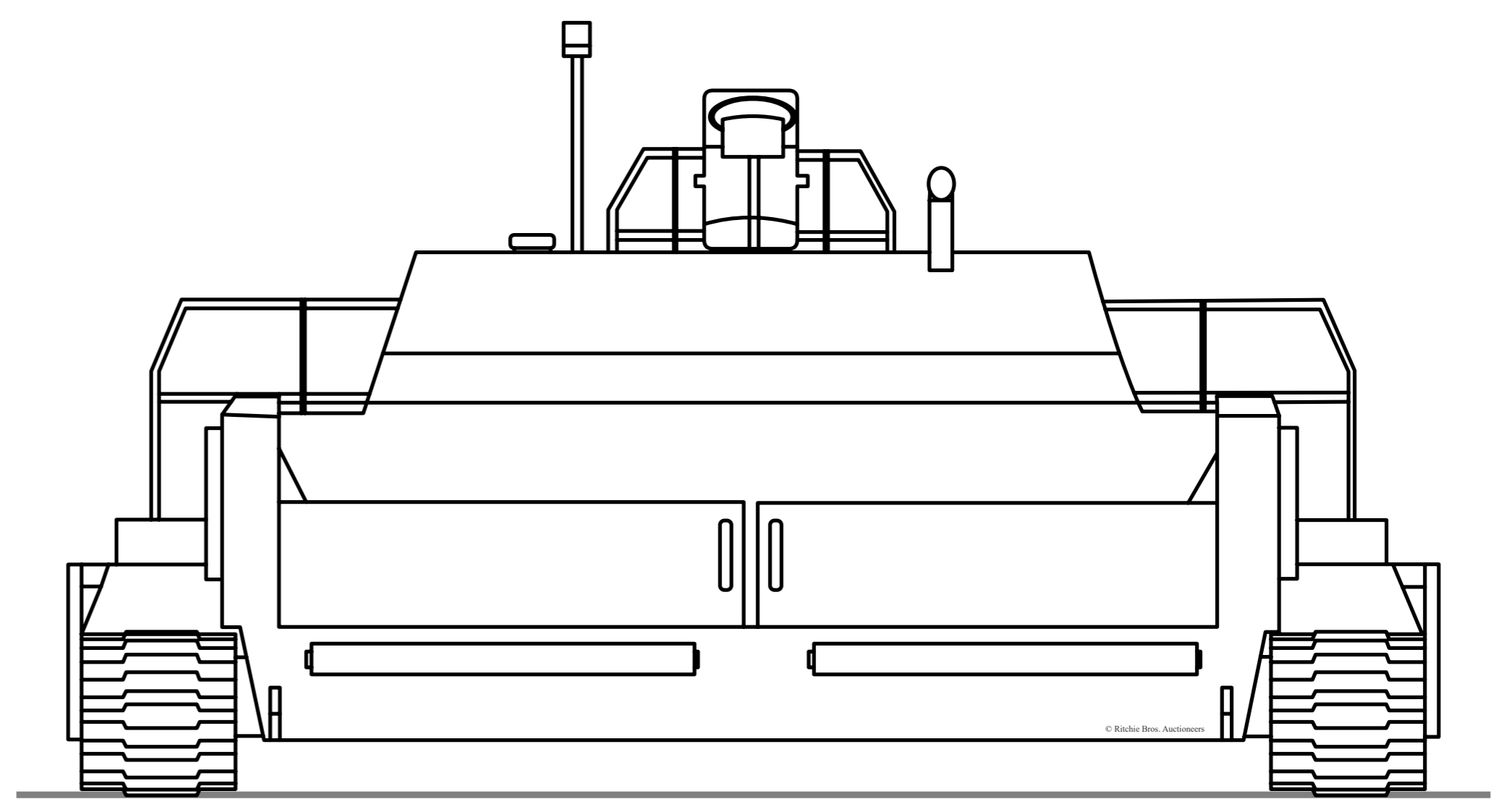
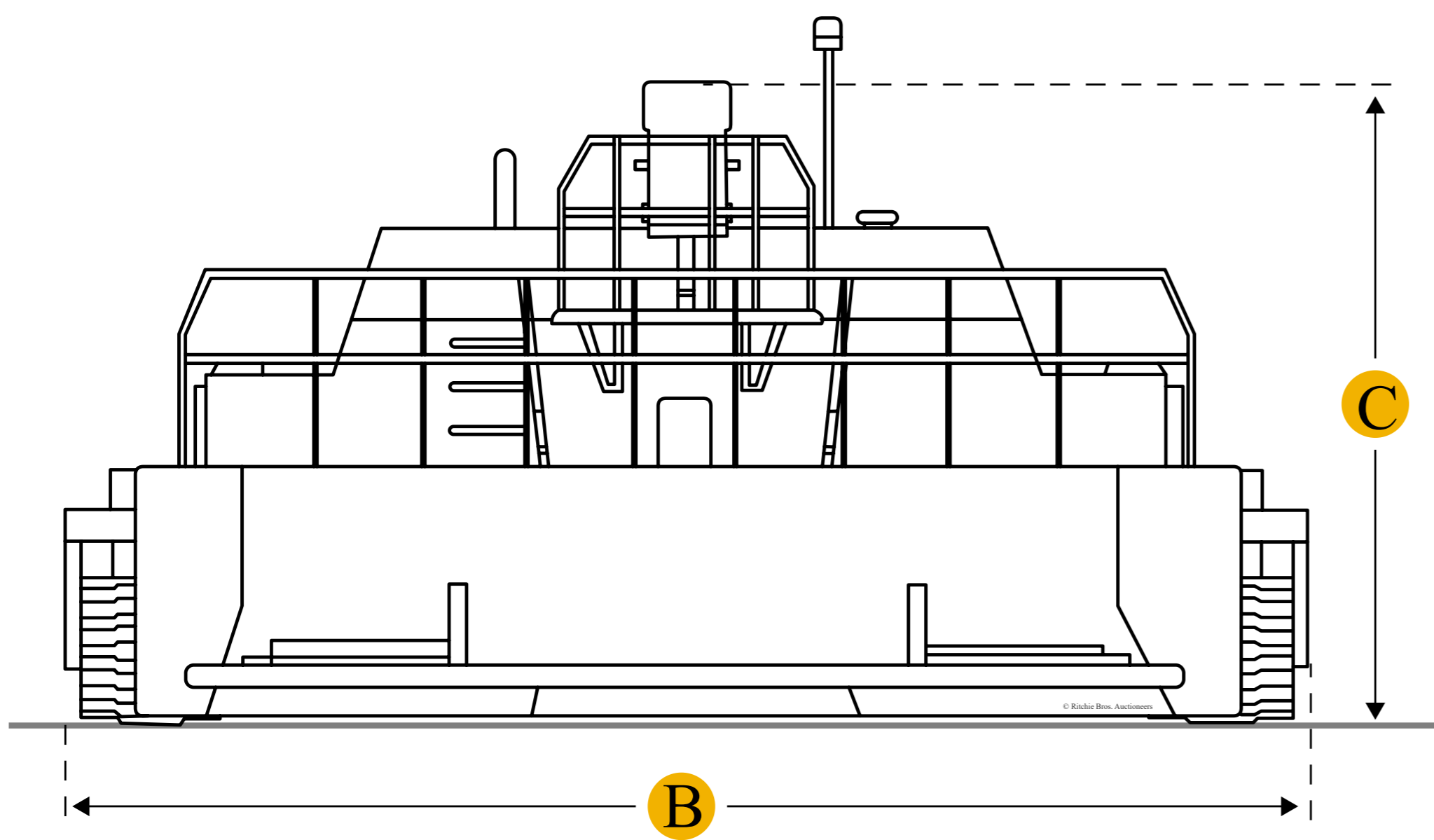


Caterpillar AP1000E Asphalt Paver



Units

Imperial

Metric

Dimensions

Dimensions

C Transport Height	2871.22 mm
Length - With Push Roller And Largest Screed	6.61 m
Maximum Height	3718.56 mm
Tractor Operating Width	3.61 m
Transport Width - Hoppers Raised - Screed End Gates Attached	3.25 m
Transport Width - Hoppers Raised - Screed End Gates Removed	3 m

Specifications

Engine

Gross Power	167.8 kw
Engine Model	Cat C7.1 with ACERT

Weights

Maximum Operating Weight	19508.2 kg
---------------------------------	------------

Operating Specifications

Maximum Travel Speed	19.4 km/h
Maximum Paving Speed - With Vibratory Screed	200 ft/min
Maximum Paving Speed - With Tamper Bar Screed	82 ft/min
Inside Turn Radius	0.5 m
Hopper Capacity	251 ft
Paving Width Minimum	2.5 m
Paving Width Maximum	8.1 m
Truck Entry Width	3.6 m
Truck Dump Height	584.2 mm
Standard Paving Width	3.05-5.94 m (10-19.5 ft)

Service Refill Capacities

Fuel Tank Capacity	348.3 L
---------------------------	---------