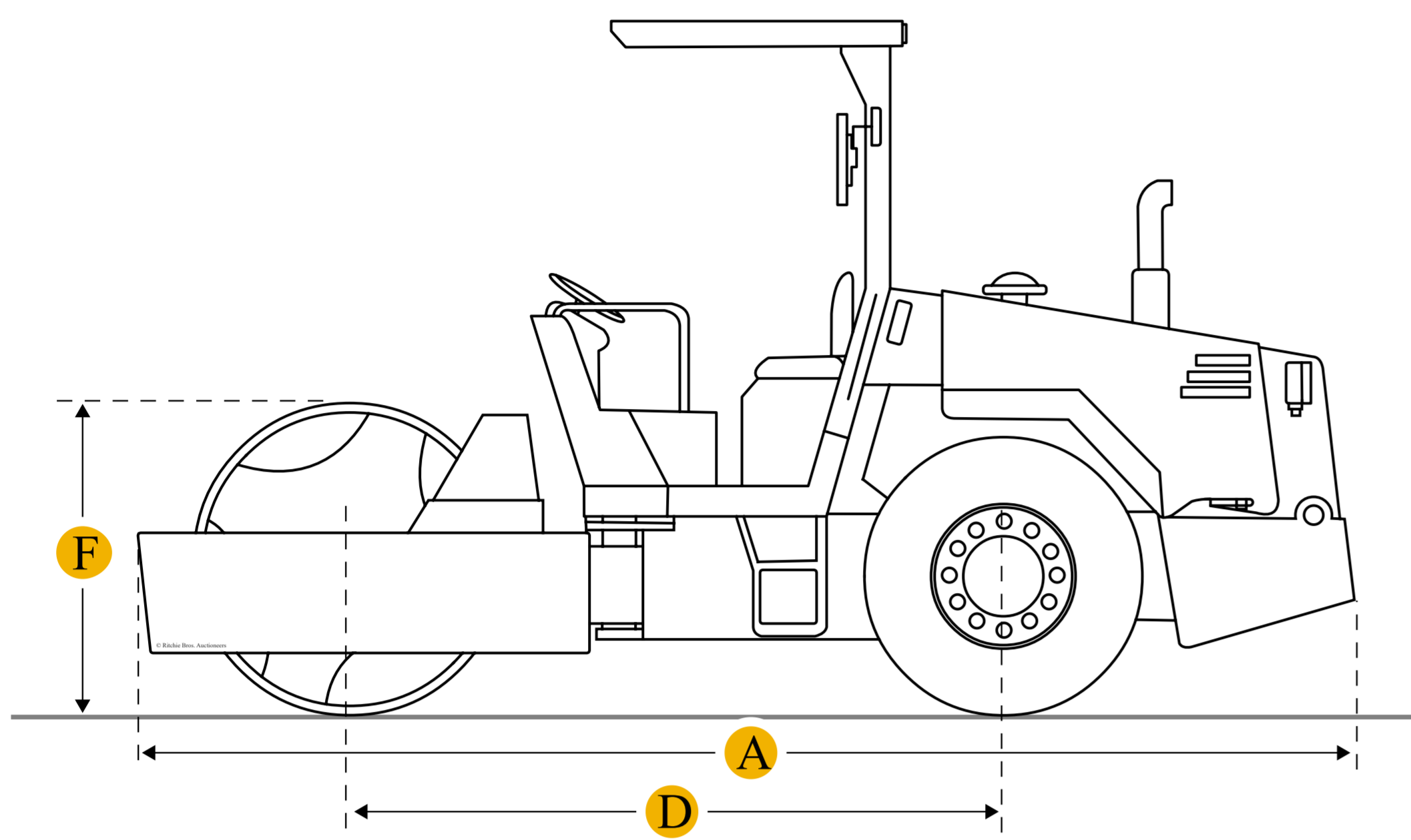
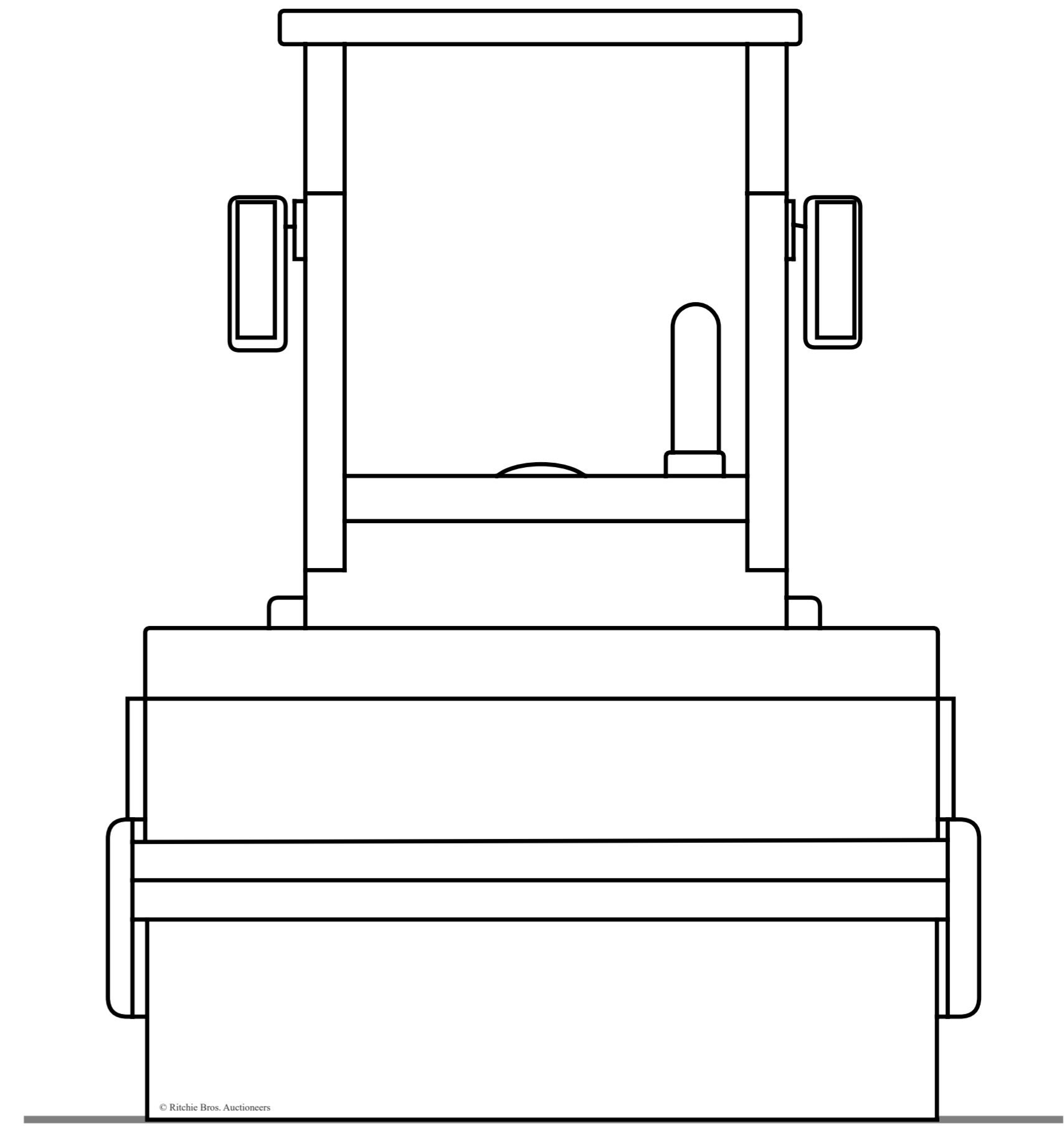
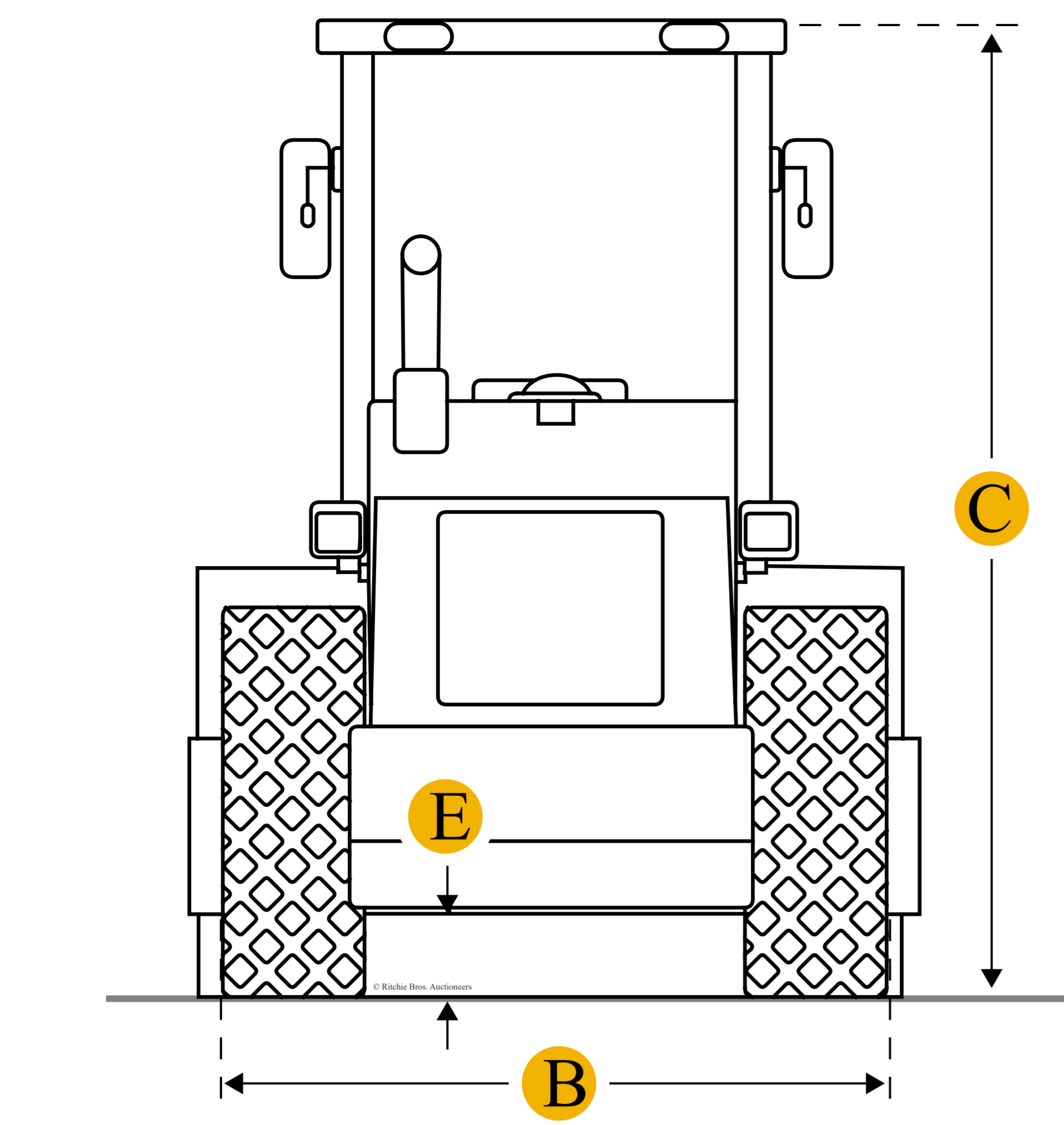


# Bomag BW 190 AD-4 AM Vibratory Smooth Drum Roller



Units

## Dimensions

### Dimensions

<b>A Overall Length</b>	177.96 in
<b>B Overall Width</b>	7.09 ft in
<b>C Height To Top Of Cab</b>	9.85 ft in
<b>D Wheelbase</b>	129.93 in
<b>E Ground Clearance</b>	13.78 in

## Specifications

### Engine

<b>Number Of Cylinders</b>	4
<b>Engine Make</b>	Deutz
<b>Engine Model</b>	TCD 2012 L04
<b>Gross Power</b>	134 hp
<b>Power Measured @</b>	2300 rpm

### Operational

<b>Operating Weight</b>	26896.4 lb
<b>Fuel Capacity</b>	52.9 gal
<b>Engine Oil Capacity</b>	2.6 gal
<b>Water Spray System Fluid Capacity</b>	264.2 gal

### Drum

<b>Drum Width</b>	78.8 in
<b>Drum Diameter</b>	48.1 in
<b>Nominal Amplitude - High</b>	2.3 in
<b>Nominal Amplitude - Med</b>	0.1 in
<b>Nominal Amplitude - Low</b>	134.7 in
<b>Centrifugal Force - High</b>	55527.9 lb
<b>Centrifugal Force - Low</b>	8447195.4 lb

### Weights

<b>Axle Load Front Cece</b>	13812 lb
<b>Axle Load Rear Cece</b>	13084 lb/in